



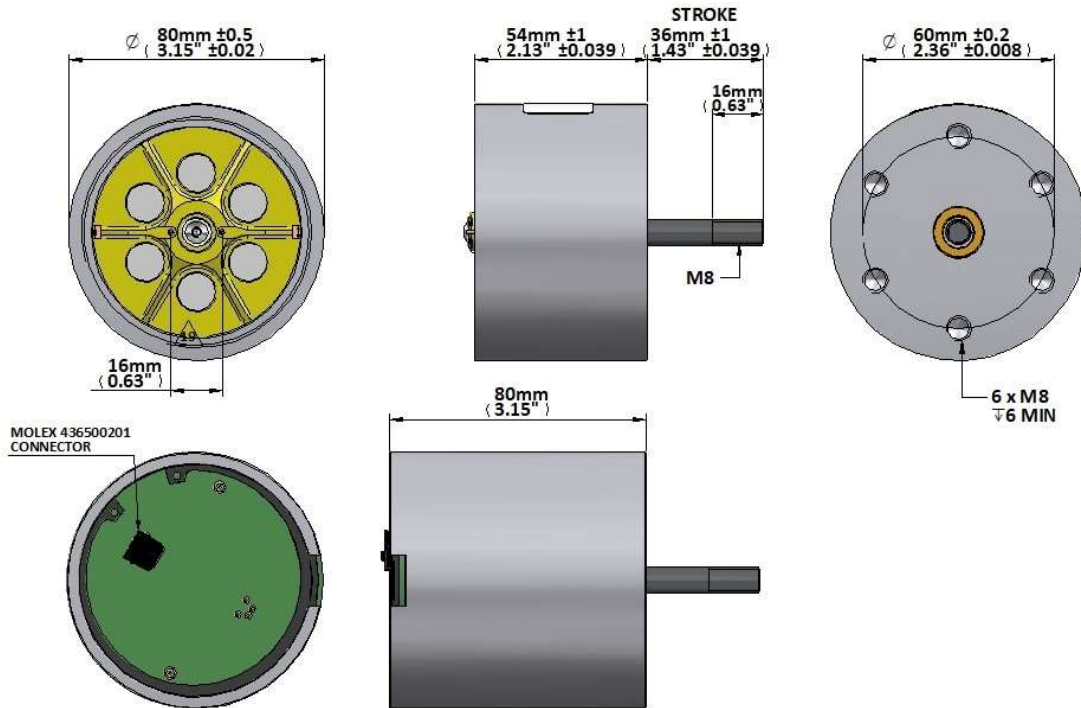
P_{100} is the continuous (100% ED) excitation power at which the coil attains temperature T_{max} with the part mounted to a massive heatsink at 20°C

P_{100} 50 W
 T_{max} 130 °C

VM8054 1.7kg / VM8080 2kg
 Coil Mass 150 g

Model No.	Resistance R_{20}	Inductance	Force Constant	Velocity Constant	Current I_{100}
VM80xx-630	2.3 Ω	1.8 mH	10 N/A	10 Vs/m	3.9 A
VM80xx-400	11.5 Ω	10.6 mH	24 N/A	24 Vs/m	1.8 A
VM80xx-250	85.0 Ω	77.0 mH	62 N/A	62 Vs/m	0.6 A

	Max 'ON' time	Peak Force
100% ED	∞	43.0 N
50% ED	100 s	62.0 N
25% ED	100 s	85.0 N
10% ED	0 s	130.0 N



Force (N) vs Displacement (mm)

