



GEEPLUS

Rotary Solenoid size 700

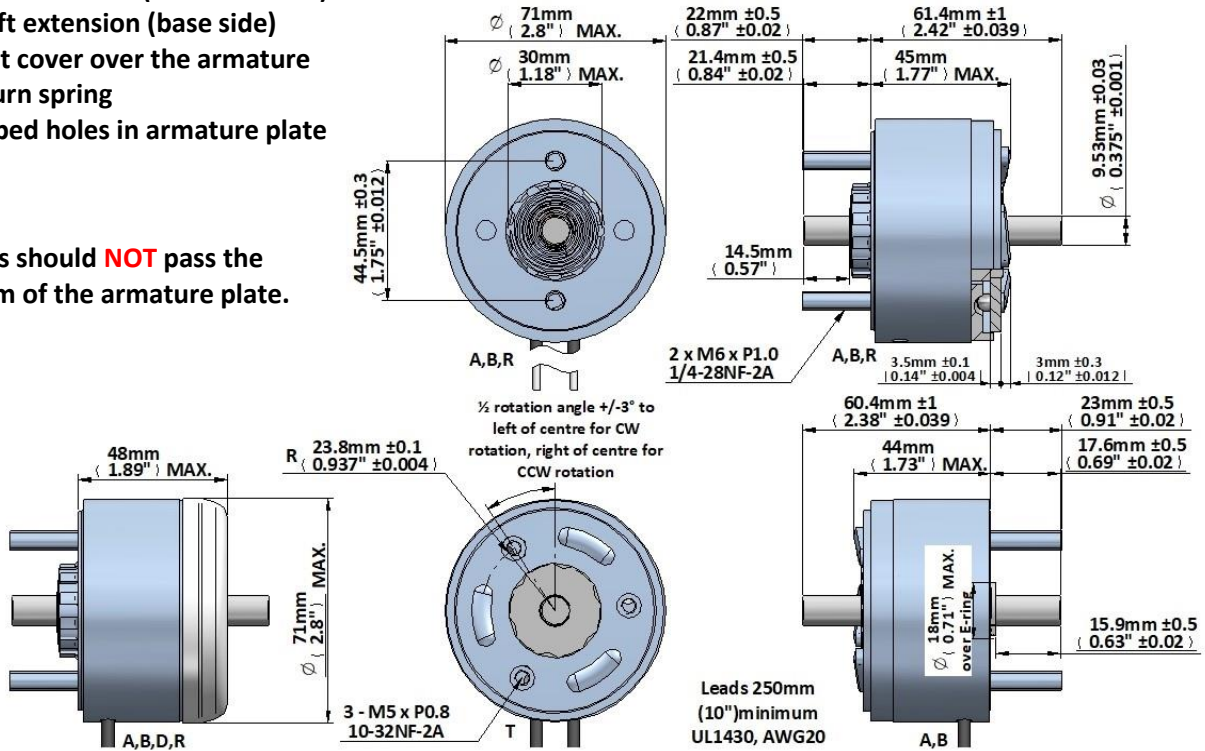
Device drawn in de-energised condition
 Life Expectancy (cycles): >2M (-R),
 >10M (-RE), >50M (-RL)

Available angle options:
 25°, 35°, 45°, 67,5°, 95° (CW/CCW)
 Mass 1013 grammes

Available mechanical options:

- A: shaft extension (armature side)
- B: shaft extension (base side)
- D: dust cover over the armature
- R: return spring
- T: tapped holes in armature plate

Note.
 Screws should **NOT** pass the bottom of the armature plate.



Data at 20°C, device connected to heatsink 390x390x3mm aluminum return spring 75 ~ 105 mNm

duty cycle = $\frac{\text{"on" time}}{\text{"on" time} + \text{"off" time}} \times 100\%$		100% cont.	75% or less	50% or less	25% or less	10% or less	
Max. "on" time in seconds		∞	112	80	37	16	
watts at 20°C		35	46.5	70	140	350	
ampere-turns at 20°		1570	1800	2230	3150	5000	
Gross starting torque at 20°C (Nm)		25°	1.27	2.12	2.74	3.8	4.9
		35°	0.69	0.99	1.38	2.53	4.37
		45°	0.58	0.78	1.0	1.88	3.42
		67,5°	0.288	0.355	0.59	1.12	2.01
95°	0.178	0.3	0.4	0.735	1.21		
AWG no.	resistance	number of turns	volts DC				
	$\Omega \pm 10\%$ (at 20°C)		8	9.3	11	16	26
20	1.88	368	10	11	14	20	32
21	3.01	468	13	15	18	26	41
22	4.82	580	16	19	23	33	52
23	8.1	780	20	23	29	41	65
24	12.3	949	26	30	37	52	83
25	19	1148	33	38	46	66	105
26	30.8	1472	41	47	59	83	132
27	48.8	1854	52	60	75	105	166
28	81.1	2436	64	74	92	130	206
29	121	2944	82	94	118	166	264
30	190	3650	104	119	147	209	331
31	275	4175	119	137	170	240	-
32	440	5792	165	191	235	331	-
33	735	7000	204	239	288	-	-
34	995	7600					

Insulation Resistance >100M Ω , 500VDC Megger

Dielectric Strength 1000VAC, 50/60Hz, 1 minute

Class E (120°C) insulation class

Geeplus reserves the right to change specifications without notice

www.geeplus.com