



# GEEPLUS

# VM75P2

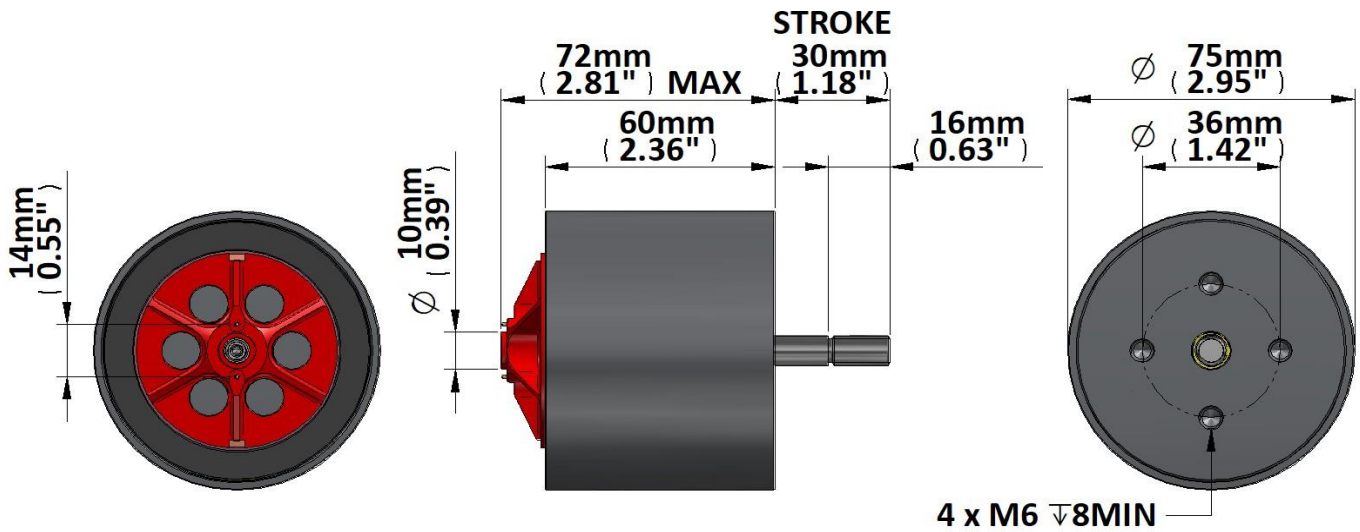
$P_{100}$  is the continuous (100% ED) excitation power at which the coil attains temperature  $T_{max}$  with the part mounted to a massive heatsink at 20°C

$P_{100}$     **42 W**  
 $T_{max}$     **130 °C**

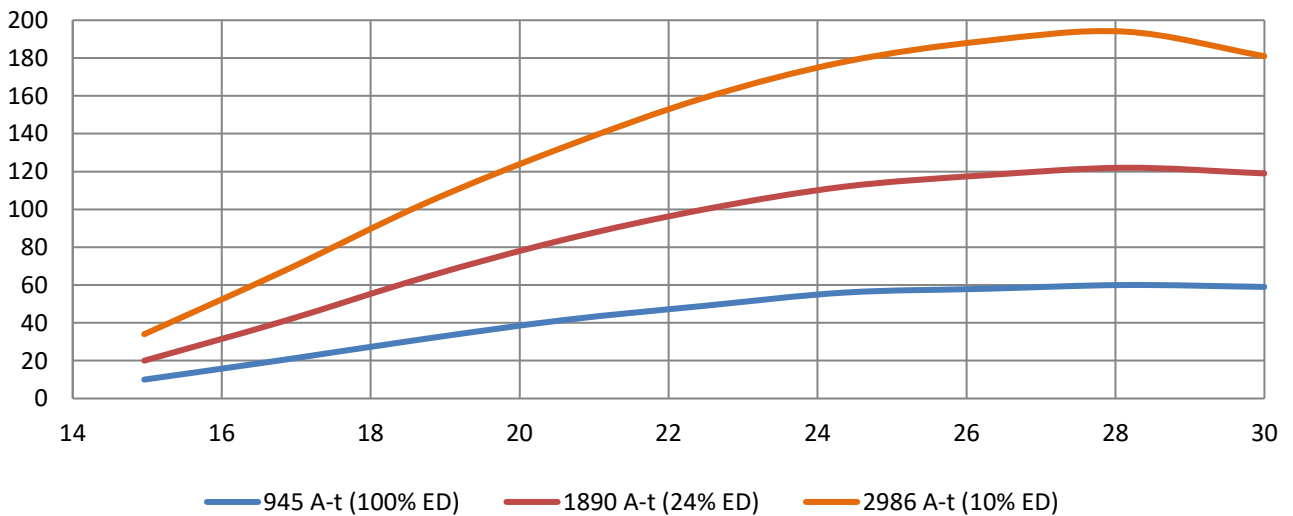
**Mass**            **1700 g**  
**Coil Mass**        **160 g**

Model No.	Resistance $R_{20}$	Inductance	Force Constant	Velocity Constant	Current $I_{100}$
VM75P2-375	17.1 $\Omega$	30.0 mH	44 N/A	44 Vs/m	1.3 A
VM75P2-560	3.5 $\Omega$	6.2 mH	20 N/A	20 Vs/m	2.9 A

	Max 'ON' time	Peak Force
100% ED	$\infty$	60 N
50% ED	240 s	85 N
25% ED	75 s	122 N
10% ED	15 s	194 N



**Force (N) vs Displacement (mm)**



Geeplus reserves the right to change specifications without notice

[www.geeplus.com](http://www.geeplus.com)