



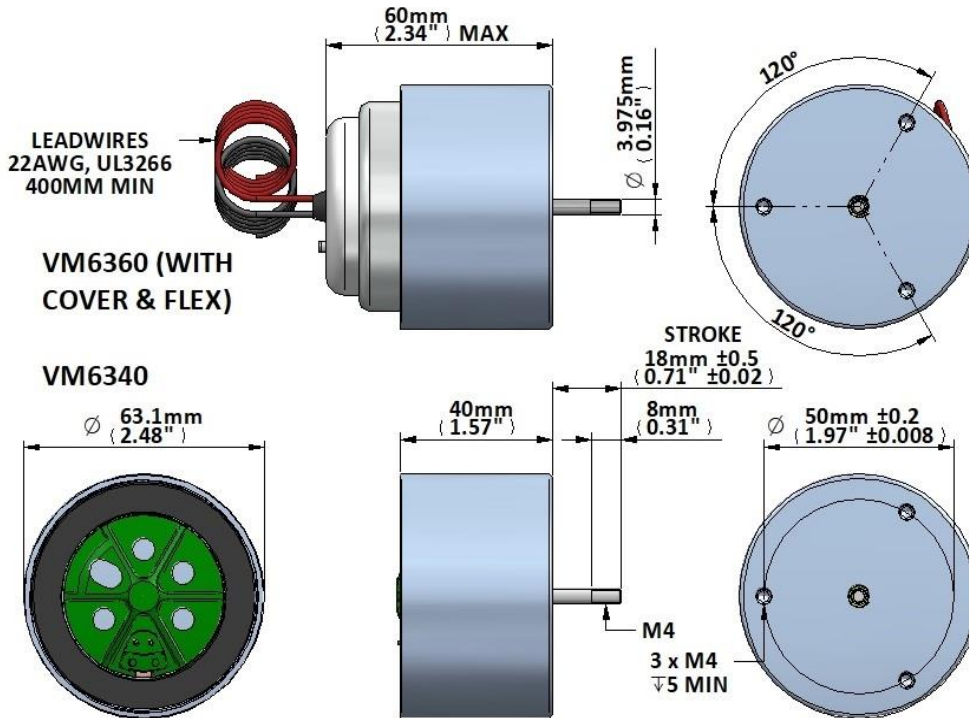
P_{100} is the continuous (100% ED) excitation power at which the coil attains temperature T_{max} with the part mounted to a massive heatsink at 20°C

P_{100} 28 W
 T_{max} 130 °C

Total Mass 750 g
 Coil Mass 43 g

Model No.	Resistance R_{20}	Inductance	Force Constant	Velocity Constant	Current I_{100}
VM63xxL-400	3.7 Ω	1.8 mH	13 N/A	13 Vs/m	2.3 A
VM63xxL-250	22.0 Ω	10 mH	30 N/A	30 Vs/m	1.0 A
VM63xxL-190	67.0 Ω	31 mH	52 N/A	52 Vs/m	0.5 A

	Max 'ON' time	Peak Force
100% ED	∞	29.0 N
50% ED	65 s	43.0 N
25% ED	12 s	62.0 N
10% ED	3 s	104.0 N



Force (N) vs Displacement (mm)

