



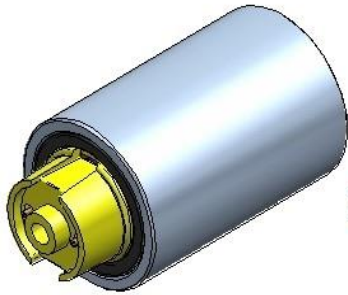
P_{100} is the continuous (100% ED) excitation power at which the coil attains temperature T_{max} with the part mounted to a massive heatsink at 20°C

P_{100} 12.5 W
 T_{max} 130 °C

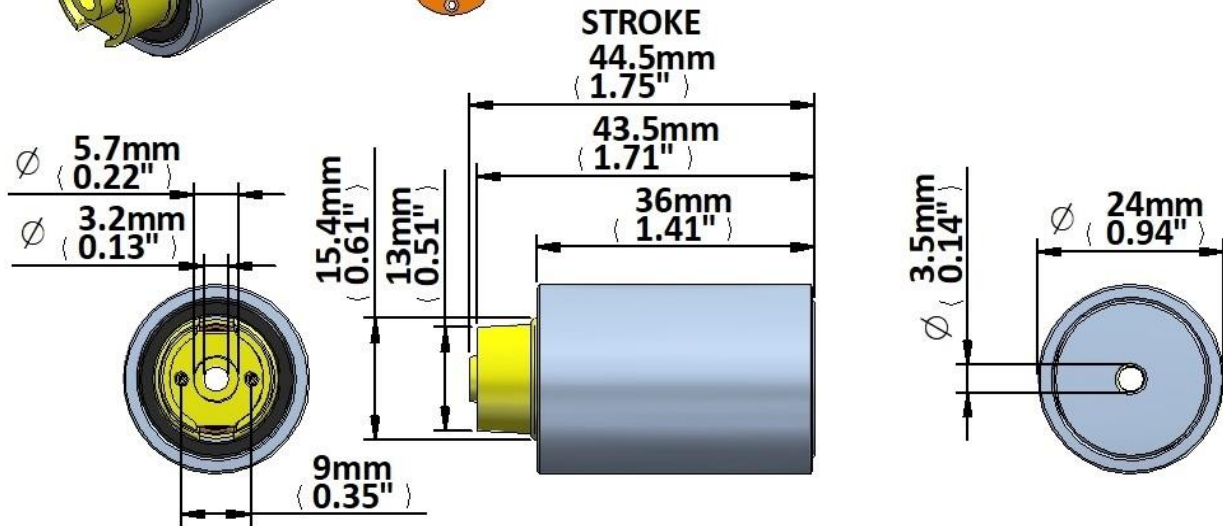
Total Mass 95 g
 Coil Mass 9 g

Model No.	Resistance R_{20}	Inductance	Force Constant	Velocity Constant	Current I_{100}
VM2436-375	1.0 Ω	0.2 mH	0.7 N/A	0.7 Vs/m	2.99 A
VM2436-180	17.8 Ω	3.6 mH	2.9 N/A	2.9 Vs/m	708 mA
VM2436-112	107.0 Ω	22.0 mH	6.7 N/A	6.7 Vs/m	289 mA

	Max 'ON' time	Peak Force
100% ED	∞	2.7 N
50% ED	22 s	3.8 N
25% ED	9 s	5.2 N
10% ED	3 s	7.5 N



DOES NOT INCLUDE BEARINGS. GUIDANCE SHOULD BE IMPLEMENTED IN APPLICATION. FLEX CIRCUIT 40-1039 FOR THIS PART CAN BE QUOTED ON REQUEST



Force (N) vs Displacement (mm) [outwards direction]

