



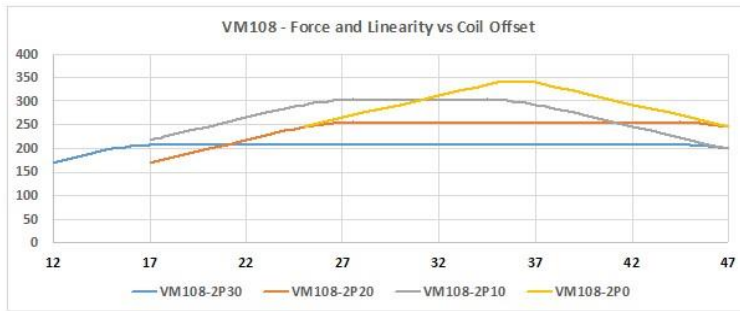
P_{100} is the continuous (100% ED) excitation power at which the coil attains temperature T_{max} with the part mounted to a massive heatsink at 20°C

P_{100} 108 W
 T_{max} 120 °C

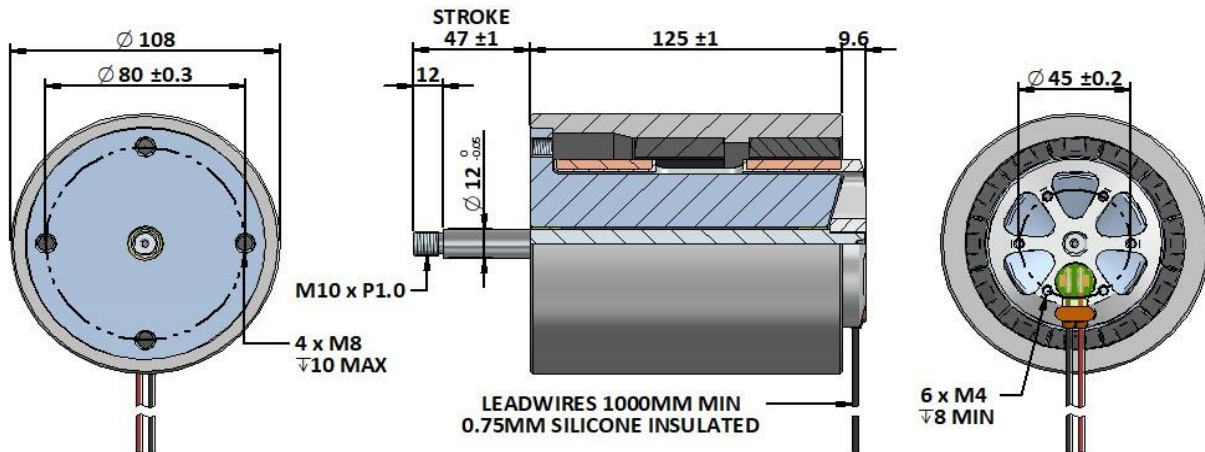
Total Mass 8 kg
 Coil Mass 750 g

Model No.	Resistance R_{20}	Inductance	Force Constant	Velocity Constant	Current I_{100}
VM108-2P30-1000	1.3 Ω	0.0 mH	25 N/A	25 Vs/m	7.7 A
VM108-2P30-670	6.4 Ω	0.0 mH	56 N/A	56 Vs/m	3.5 A
VM108-2P30-500	20.2 Ω	0.0 mH	99 N/A	99 Vs/m	2.0 A

	Max 'ON' time	Peak Force
100% ED	∞	230.0 N
50% ED	100 s	300.0 N
25% ED	35 s	440.0 N
10% ED	11 s	700.0 N



The VM108-2P voice coil motor can be configured with different coil geometry to provide more force over a shorter linear range. The graph gives an approximate indication of what is possible. Call Geeplus if other configuration is of interest



Force (N) vs Displacement (mm)

