



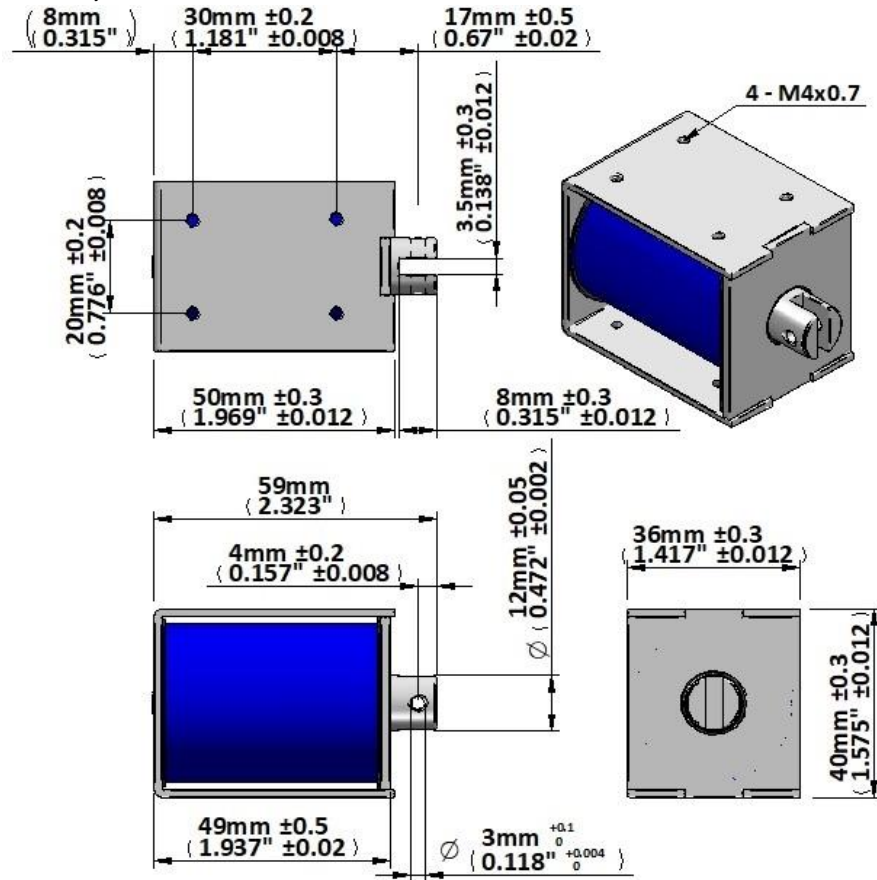
Device drawn in energised condition

Life Expectancy >250K cycles

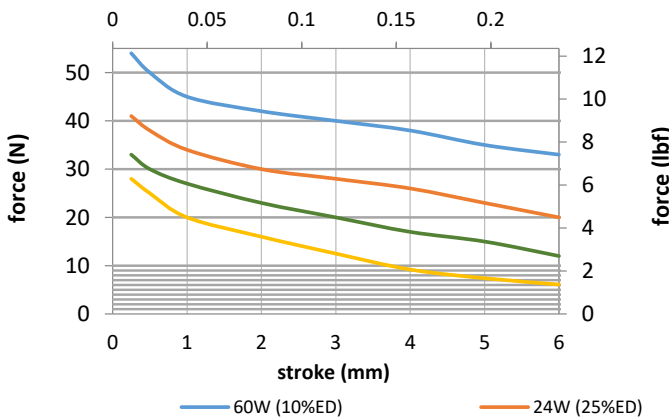
Leadwires UL1007, 26AWG, 250mm

Plunger Mass 40grammes

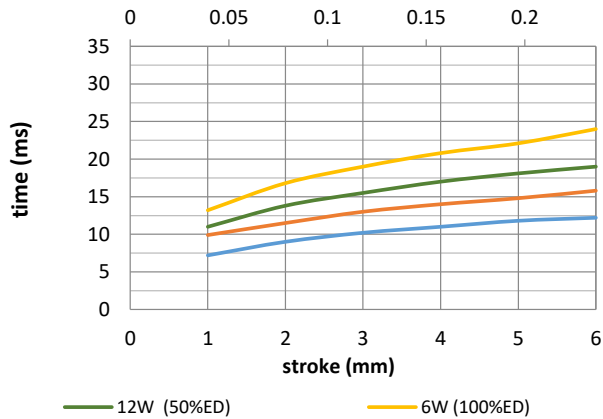
Total Mass 362grammes



Force / Stroke W1250
stroke (inch)



Response Time
stroke (inch)



Data at 20°C, device performance measured without heat sink

duty cycle = $\frac{\text{"on" time}}{\text{"on" time} + \text{"off" time}} \times 100\%$			100% cont.	50% or less	25% or less	10% or less
Max. "on" time in seconds			∞	140	50	9
watts at 20°C			6.0	12.0	24.0	60.0
ampere-turns at 20°			1150	1626	2300	3636
AWG no.	resistance Ω±10% (at 20°C)	number of turns	volts DC			
SK-W1250-6v	6	1100	6.0	8.5	12.0	19.0
SK-W1250-12v	24	2370	12.0	17.0	24.0	38.0
SK-W1250-24v	96	4600	24.0	34.0	48.0	76.0
SK-W1250-48v	384	8640	48.0	68.0	96.0	152

Insulation Resistance >100MΩ, 500VDC Megger

Dielectric Strength 500VAC, 50/60Hz, 1 minute

Class A (105°C) insulation class