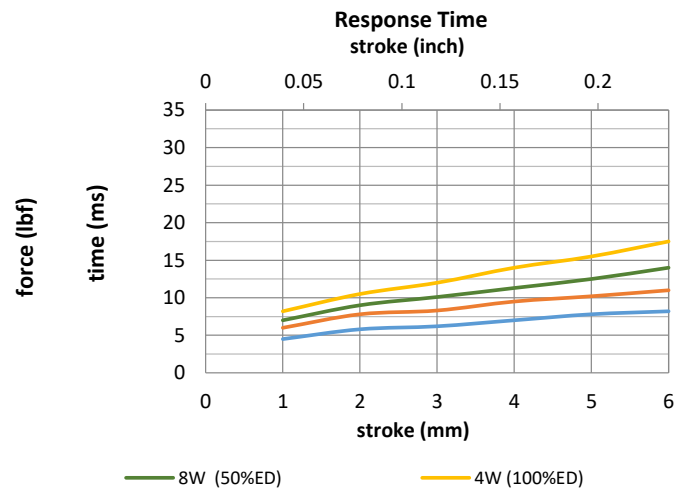
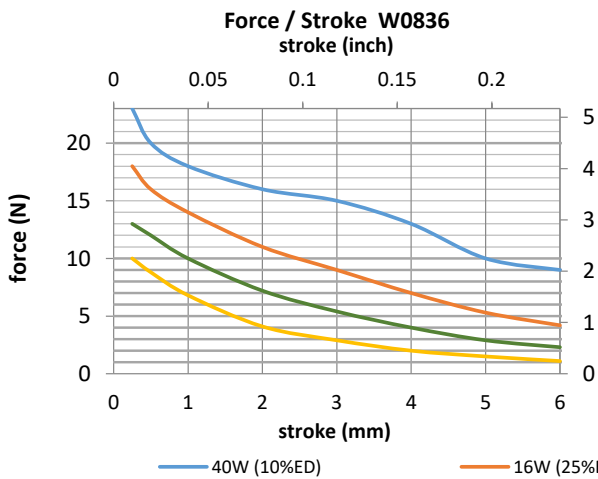
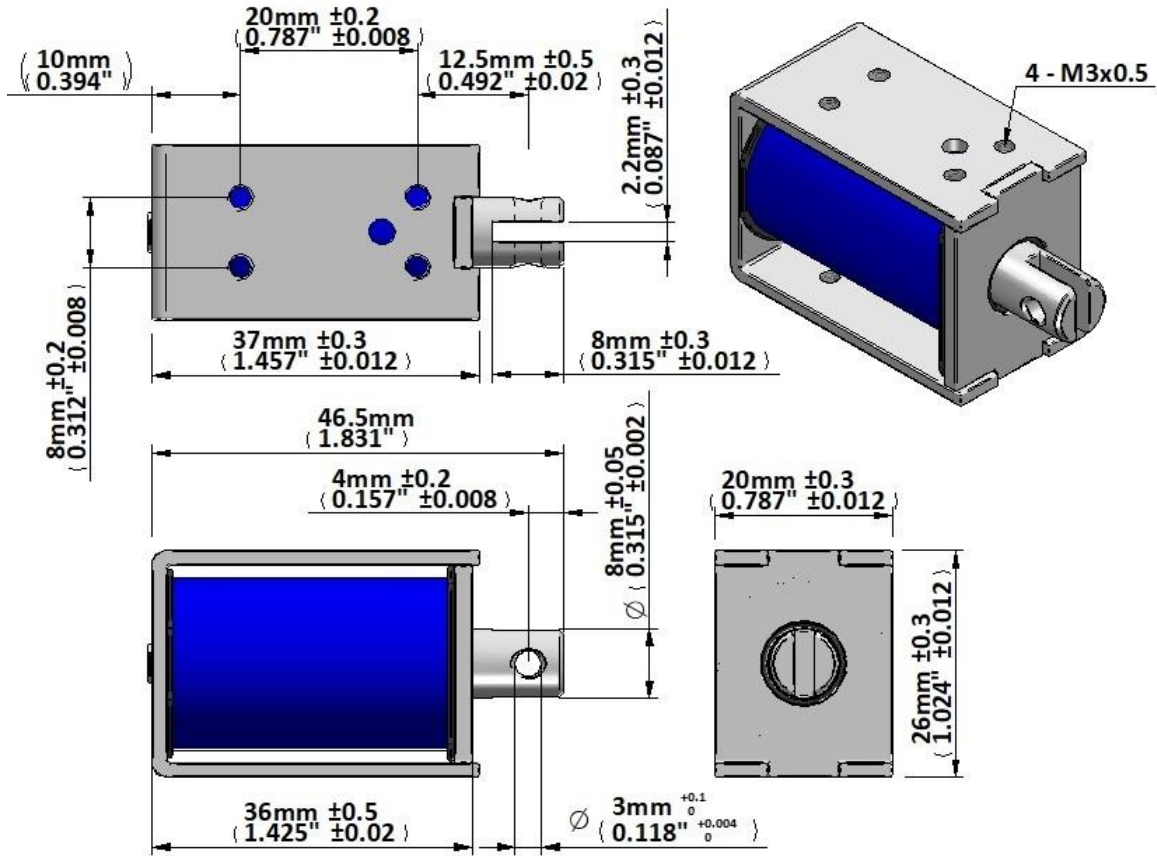




Device drawn in energised condition
 Life Expectancy >250K cycles
 Leadwires UL1007, 26AWG, 240mm

Plunger Mass 14grammes
 Total Mass 100 grammes



Data at 20°C, device performance measured without heat sink

duty cycle = $\frac{\text{"on" time}}{\text{"on" time} + \text{"off" time}} \times 100\%$			100% cont.	50% or less	25% or less	10% or less
Max. "on" time in seconds			∞	100	36	7
watts at 20°C			4.0	8.0	16.0	40.0
ampere-turns at 20°			666	941	1332	2106
AWG no.	resistance $\Omega \pm 10\%$ (at 20°C)	number of turns	volts DC			
SK-W0836-6v	9	1000	6.0	8.5	12.0	19.0
SK-W0836-12v	36	2000	12.0	17.0	24.0	38.0
SK-W0836-24v	144	4000	24.0	34.0	48.0	76.0
SK-W0836-48v	576	7540	48.0	68.0	96.0	152

Insulation Resistance >100MΩ, 500VDC Megger

Dielectric Strength 500VAC, 50/60Hz, 1 minute

Class A (105°C) insulation class