



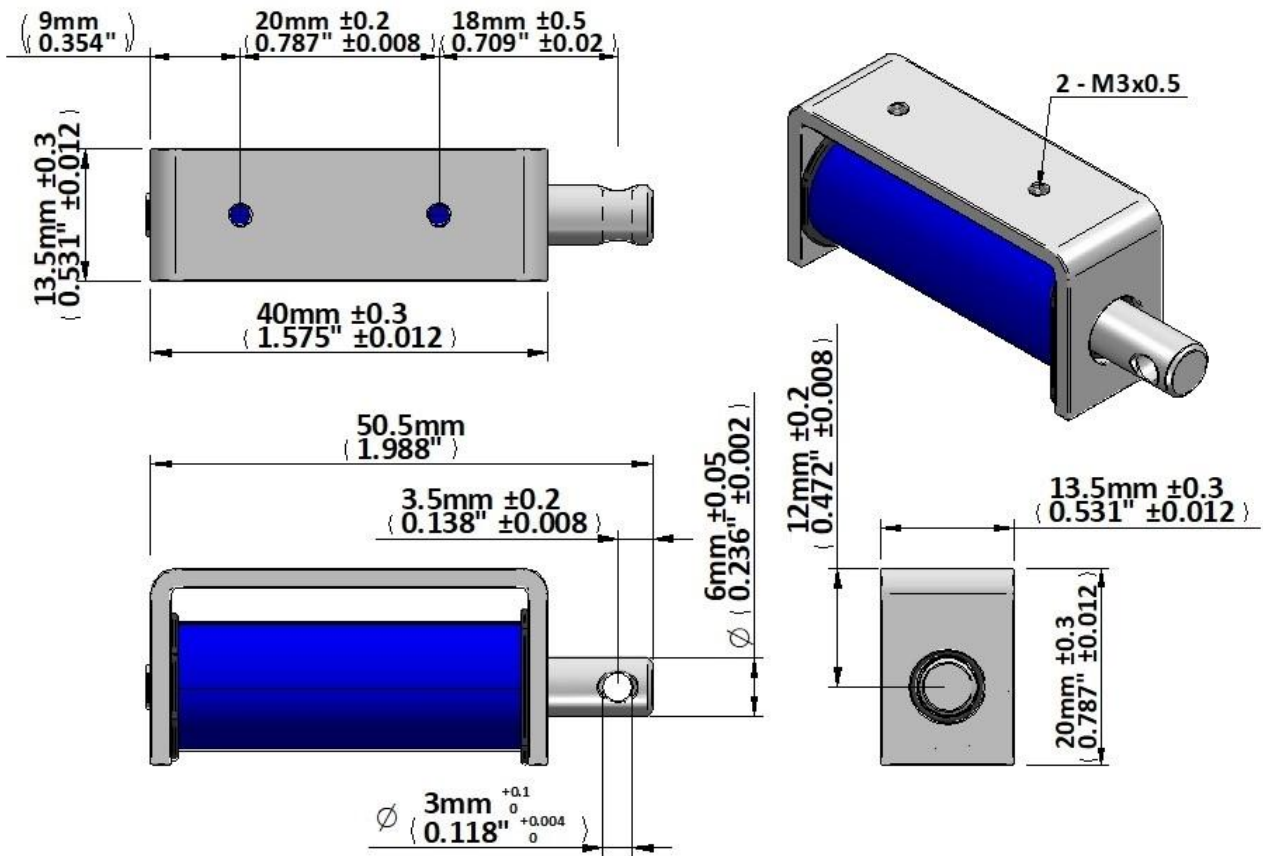
Device drawn in energised condition

Life Expectancy >250K cycles

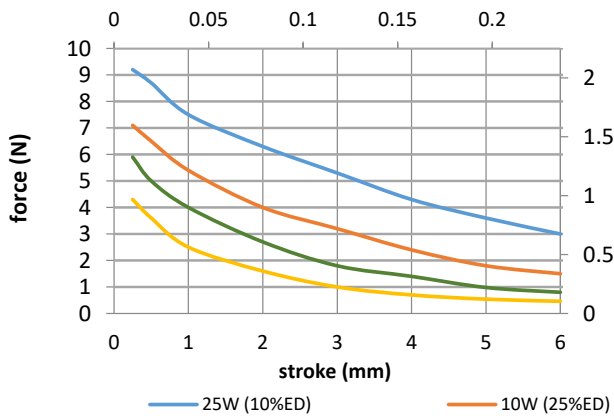
Leadwires UL1007, 26AWG, 240mm

Plunger Mass 9 grammes

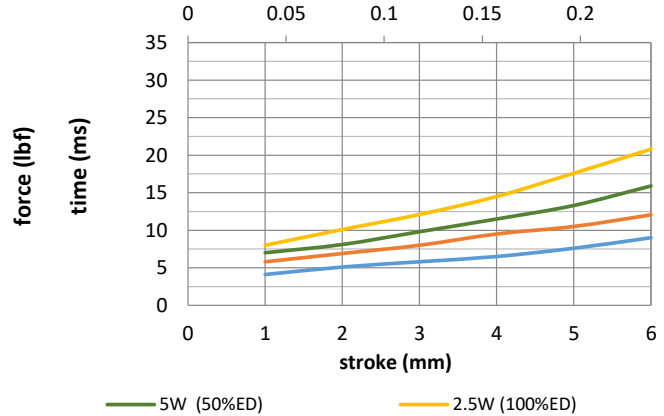
Total Mass 48 grammes



Force / Stroke C0640
stroke (inch)



Response Time
stroke (inch)



Data at 20°C, device performance measured without heat sink

duty cycle = $\frac{\text{"on" time}}{\text{"on" time} + \text{"off" time}} \times 100\%$			100% cont.	50% or less	25% or less	10% or less
Max. "on" time in seconds			∞	100	36	7
watts at 20°C			2.5	5.0	10.0	25.0
ampere-turns at 20°			504	712	1008	1593
AWG no.	resistance	number of turns	volts DC			
	$\Omega \pm 10\%$ (at 20°C)					
SK-C0640-6v	14	1185	6.0	8.5	12.0	19.0
SK-C0640-12v	58	2480	12.0	17.0	24.0	38.0
SK-C0640-24v	230	4830	24.0	34.0	48.0	76.0
SK-C0640-48v	922	9460	48.0	68.0	96.0	152

Insulation Resistance >100MΩ, 500VDC Megger

Dielectric Strength 500VAC, 50/60Hz, 1 minute

Class A (105°C) insulation class