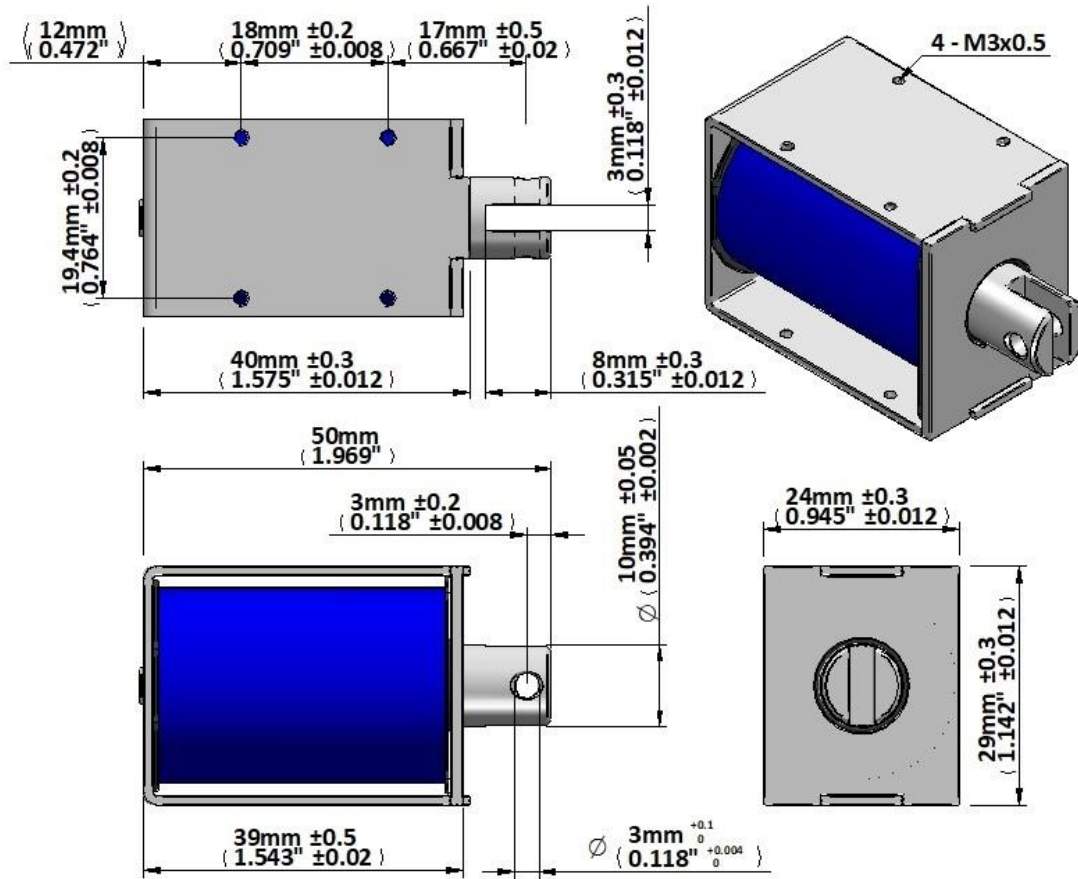


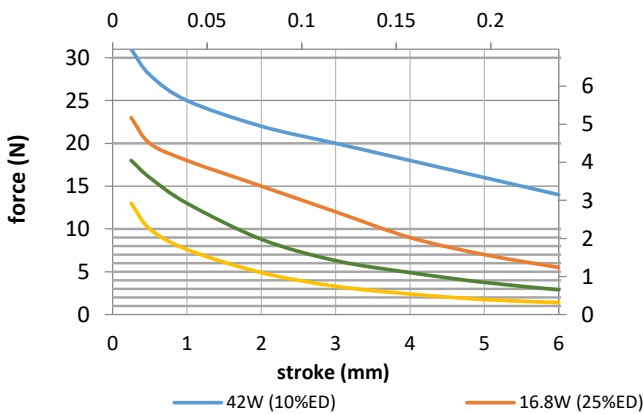


Device drawn in energised condition
 Life Expectancy >250K cycles
 Leadwires UL1007, 26AWG, 240mm

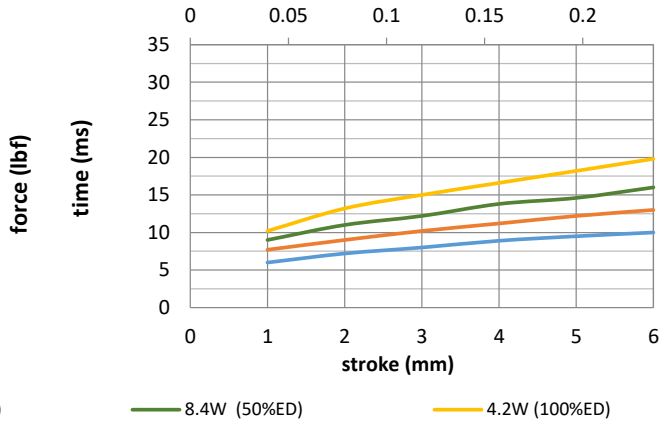
Plunger Mass 23grammes
 Total Mass 126grammes



Force / Stroke A1040
stroke (inch)



Response Time
stroke (inch)



Data at 20°C, device performance measured without heat sink

duty cycle = $\frac{\text{"on" time}}{\text{"on" time} + \text{"off" time}} \times 100\%$			100% cont.	50% or less	25% or less	10% or less
Max. "on" time in seconds			∞	100	36	7
watts at 20°C			4.2	8.4	16.8	42.0
ampere-turns at 20°			635	898	1270	2008
AWG no.	resistance Ω±10% (at 20°C)	number of turns	volts DC			
SK-A01040-6v	9	1020	6.0	8.5	12.0	19.0
SK-A1040-12v	34	2000	12.0	17.0	24.0	38.0
SK-A1040-24v	137	3625	24.0	34.0	48.0	76.0
SK-A1040-48v	549	7420	48.0	68.0	96.0	152

Insulation Resistance >100MΩ, 500VDC Megger

Dielectric Strength 500VAC, 50/60Hz, 1 minute

Class A (105°C) insulation class