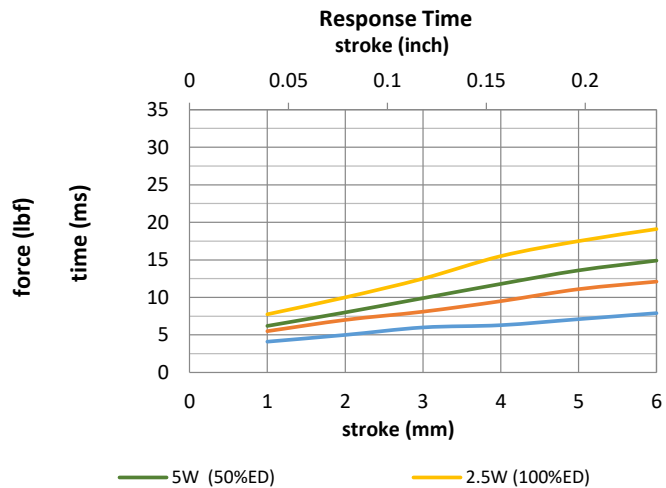
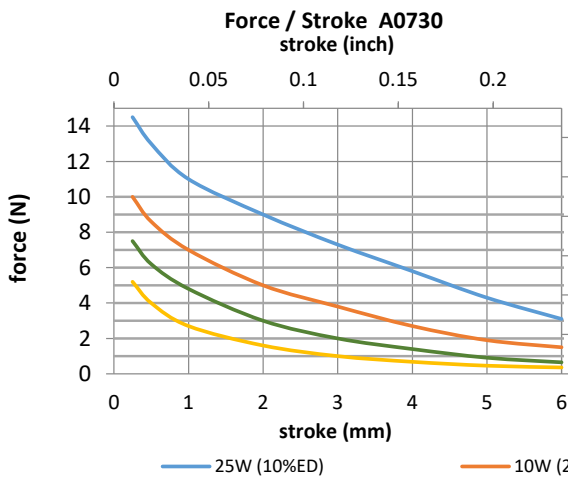
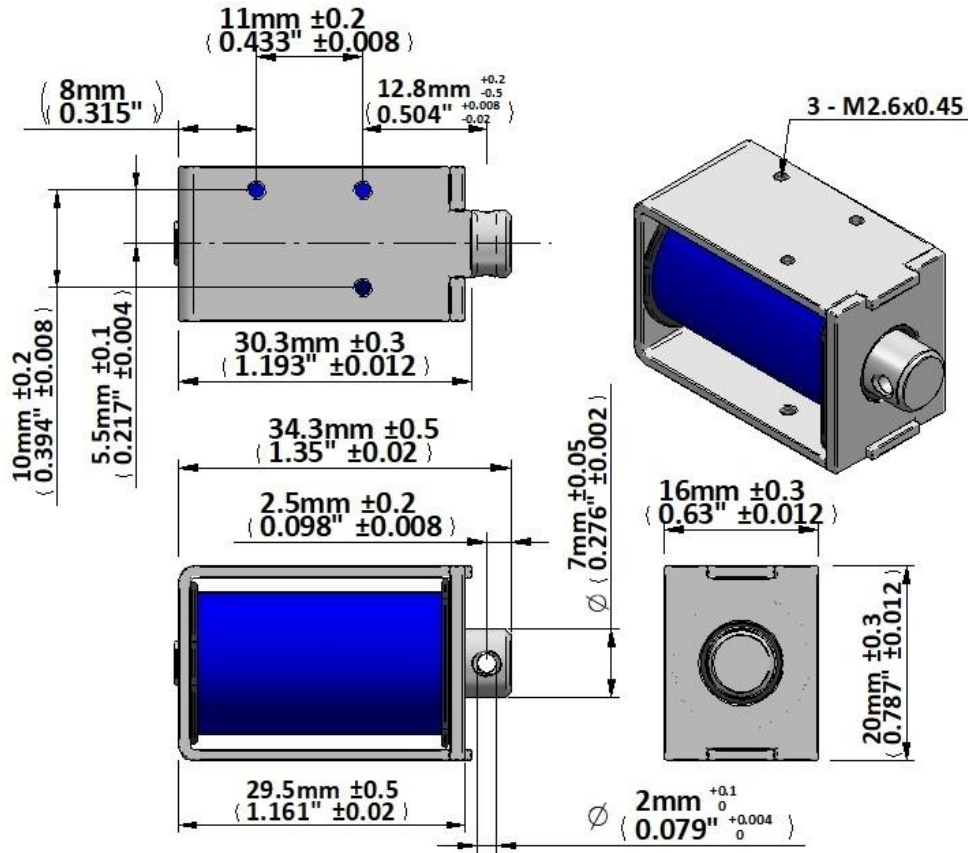




Device drawn in energised condition
 Life Expectancy >250K cycles
 Leadwires UL1007, 26AWG, 240mm

Plunger Mass 8 grammes
 Total Mass 48 grammes



Data at 20°C, device performance measured without heat sink

duty cycle = $\frac{\text{"on" time}}{\text{"on" time} + \text{"off" time}} \times 100\%$			100% cont.	50% or less	25% or less	10% or less
Max. "on" time in seconds			∞	100	36	7
watts at 20°C			2.5	5.0	10.0	25.0
ampere-turns at 20°			389	550	778	1230
AWG no.	resistance Ω±10% (at 20°C)	number of turns	volts DC			
	SK-A0730-6v		14	990	6.0	8.5
SK-A0730-12v	58	1925	12.0	17.0	24.0	38.0
SK-A0730-24v	230	3730	24.0	34.0	48.0	76.0
SK-A0730-48v	922	7300	48.0	68.0	96.0	152

Insulation Resistance >100MΩ, 500VDC Megger

Dielectric Strength 500VAC, 50/60Hz, 1 minute

Class A (105°C) insulation class