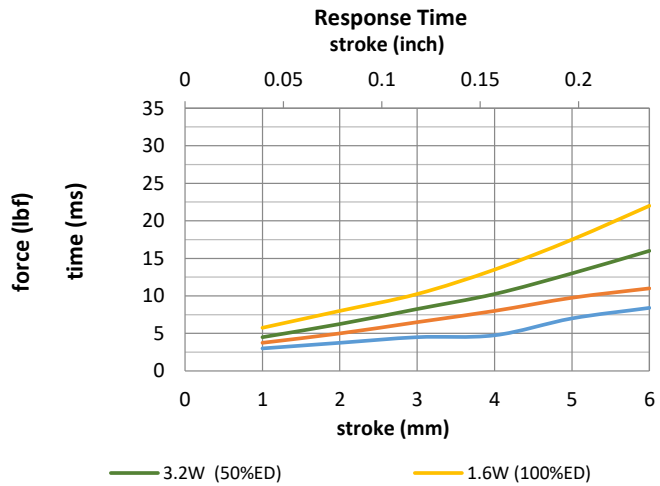
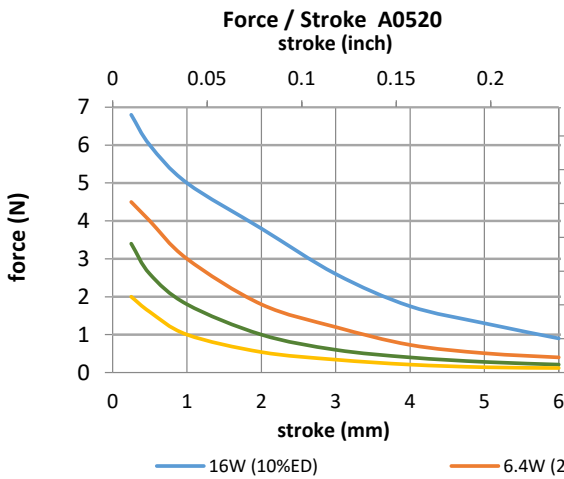
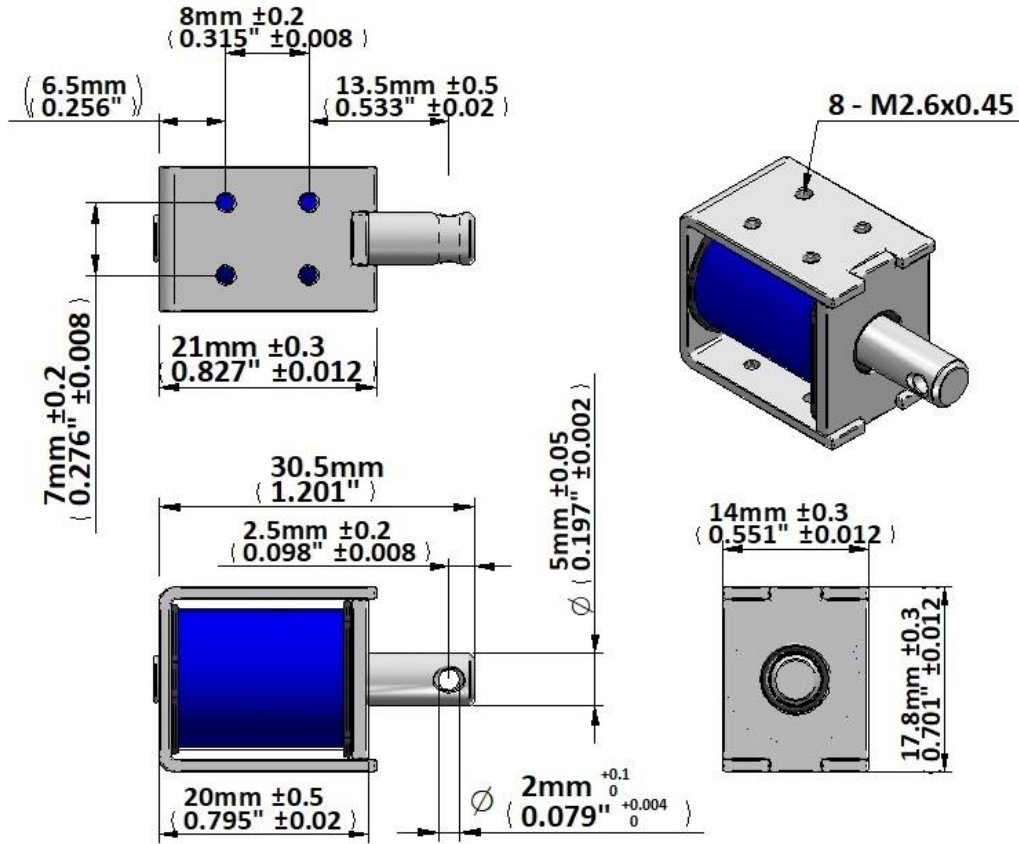




Device drawn in energised condition
 Life Expectancy >250K cycles
 Leadwires UL1007, 28AWG, 240mm

Plunger Mass 4 grammes
 Total Mass 22 grammes



Data at 20°C, device performance measured without heat sink

duty cycle = $\frac{\text{"on" time}}{\text{"on" time} + \text{"off" time}} \times 100\%$			100% cont.	50% or less	25% or less	10% or less
Max. "on" time in seconds			∞	55	19	3
watts at 20°C			1.6	3.2	6.4	16.0
ampere-turns at 20°			300	424	600	948
AWG no.	resistance Ω±10% (at 20°C)	number of turns	volts DC			
SK-A0520-6v	23	1150	6.0	8.5	12.0	19.0
SK-A0520-12v	90	2290	12.0	17.0	24.0	38.0
SK-A0520-24v	360	4500	24.0	34.0	48.0	76.0
SK-A0520-48v	1440	8600	48.0	68.0	96.0	152

Insulation Resistance >100MΩ, 500VDC Megger

Dielectric Strength 500VAC, 50/60Hz, 1 minute

Class A (105°C) insulation class