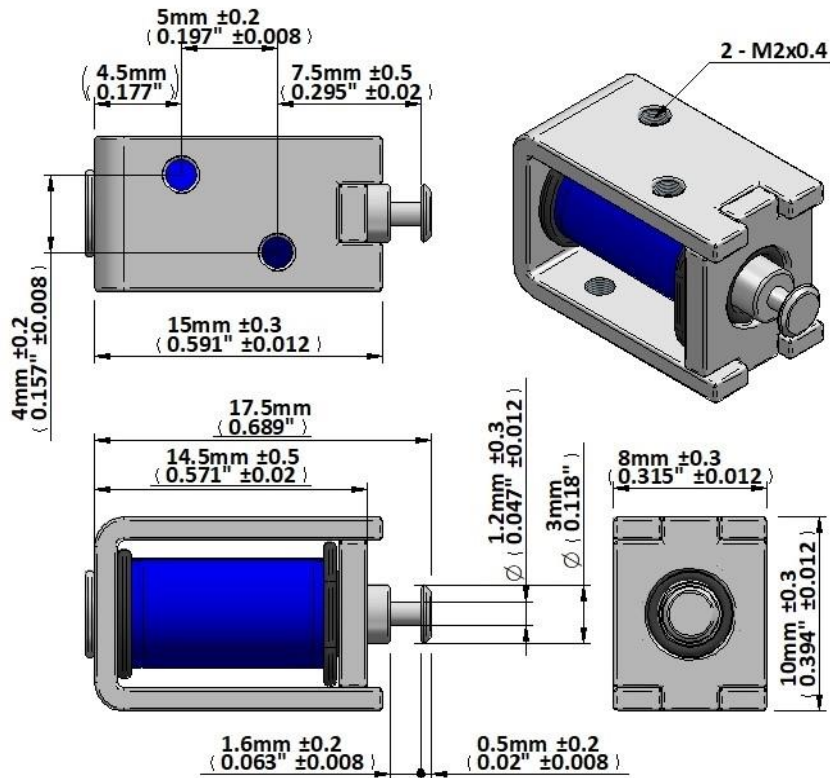


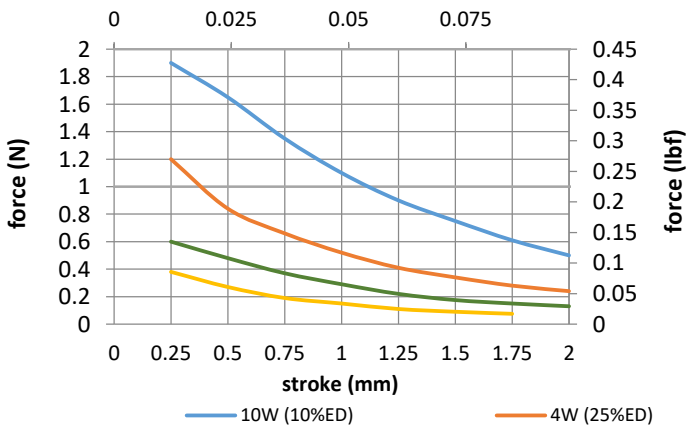


Device drawn in energised condition  
 Life Expectancy >250K cycles  
 Leadwires UL1571, 28AWG, 240mm

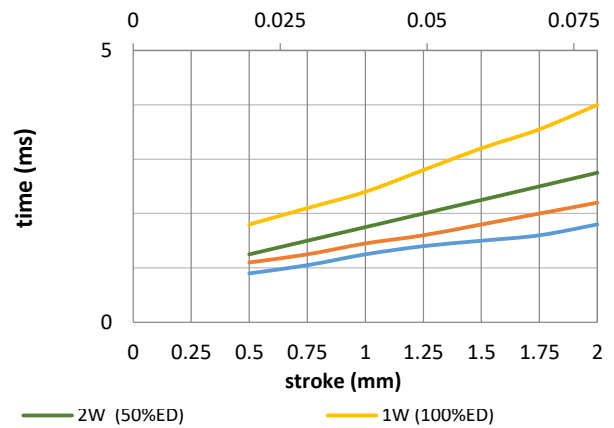
Plunger Mass 1 grammes  
 Total Mass 5 grammes



Force / Stroke SK-A0315  
stroke (inch)



Response Time  
stroke (inch)



Data at 20°C, device performance measured without heat sink

duty cycle = $\frac{\text{"on" time}}{\text{"on" time} + \text{"off" time}} \times 100\%$			100% cont.	50% or less	25% or less	10% or less
Max. "on" time in seconds			∞	50	18	2
watts at 20°C			1.0	2.0	4.0	10.0
ampere-turns at 20°			140	198	280	442
AWG no.	resistance	number of turns	volts DC			
	$\Omega \pm 10\%$ (at 20°C)					
SK-A0315-6v	36	920	6.0	8.5	12.0	19.0
SK-A0315-12v	144	1750	12.0	17.0	24.0	38.0
SK-A0315-24v	576	3370	24.0	34.0	48.0	76.0
SK-A0315-48v	2304	6700	48.0	68.0	96.0	152

Insulation Resistance >100MΩ, 500VDC Megger

Dielectric Strength 500VAC, 50/60Hz, 1 minute

Class A (105°C) insulation class