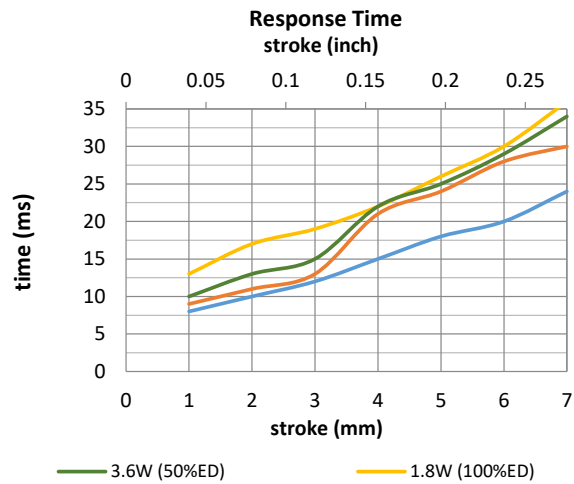
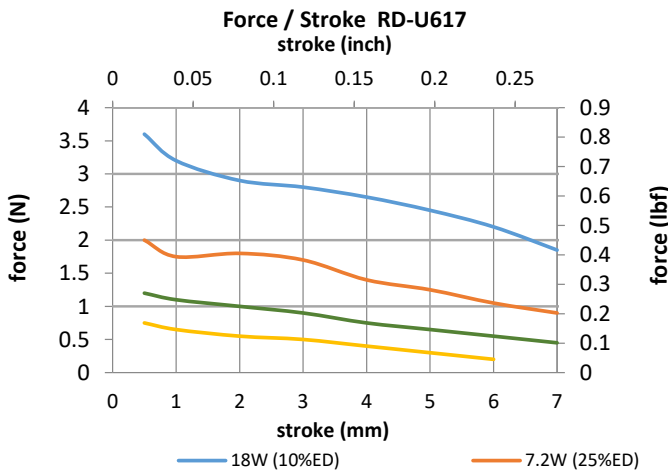
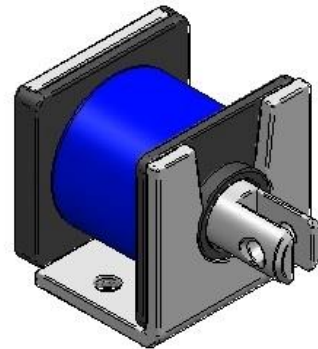
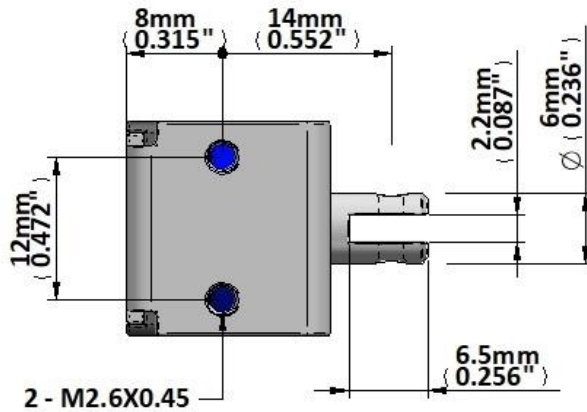
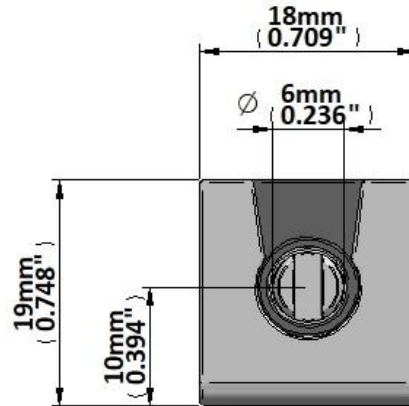
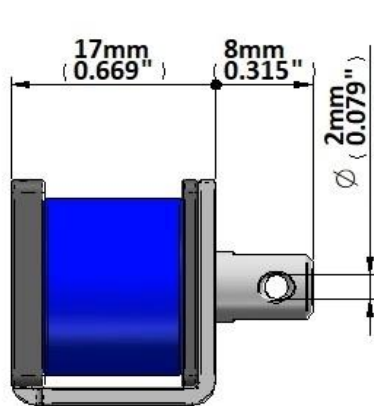




Device drawn in energised condition  
 Life Expectancy >250K cycles  
 Leadwires UL1007, 26AWG, 310mm

Plunger Mass 4 grammes  
 Total Mass 25 grammes



Data at 20°C, device performance measured without heat sink

| duty cycle = $\frac{\text{"on" time}}{\text{"on" time} + \text{"off" time}} \times 100\%$ |                             | 100%<br>cont.   | 50%<br>or less | 25%<br>or less | 10%<br>or less |      |
|---|-----------------------------|-----------------|----------------|----------------|----------------|------|
| Max. "on" time in seconds   |                             | ∞               | 256            | 85             | 24             |      |
| watts at 20°C   |                             | 1.8             | 3.6            | 7.2            | 18.0           |      |
| ampere-turns at 20°   |                             |                 |                |                |                |      |
| AWG no.   | resistance                  | number of turns | volts DC       |                |                |      |
|   | $\Omega \pm 10\%$ (at 20°C) |                 |                |                |                |      |
| RD-U617-6v  | 20                          |                 | 6.0            | 8.5            | 12.0           | 19.0 |
| RD-U617-12v   | 80                          |                 | 12.0           | 17.0           | 24.0           | 38.0 |
| RD-U617-24v   | 320                         |                 | 24.0           | 34.0           | 48.0           | 76.0 |

Insulation Resistance >100MΩ, 500VDC Megger

Dielectric Strength 500VAC, 50/60Hz, 1 minute

Class A (105°C) insulation class