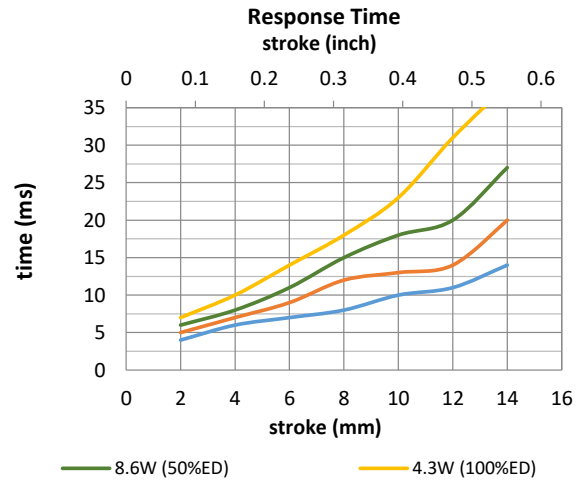
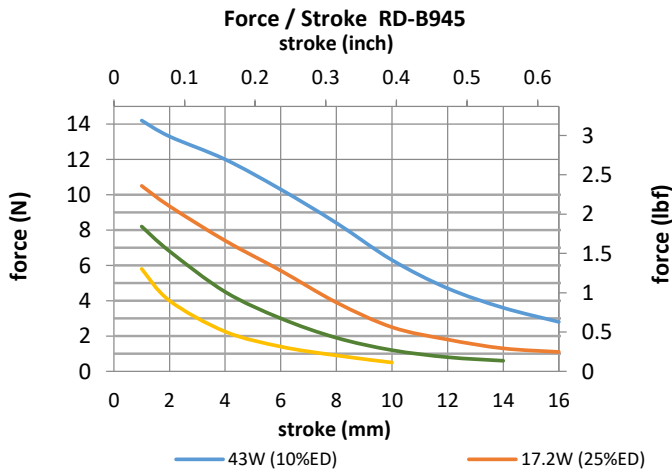
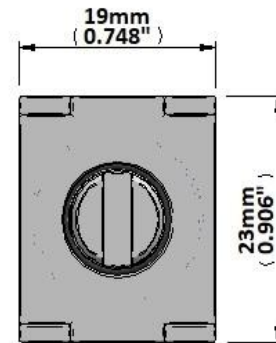
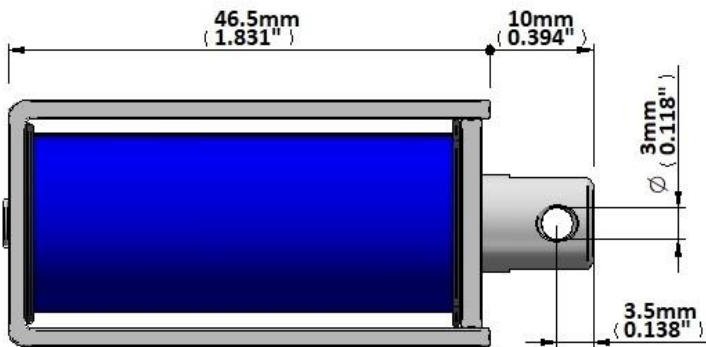
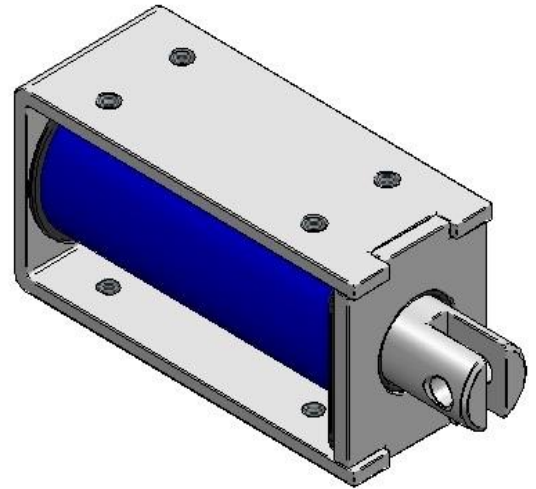
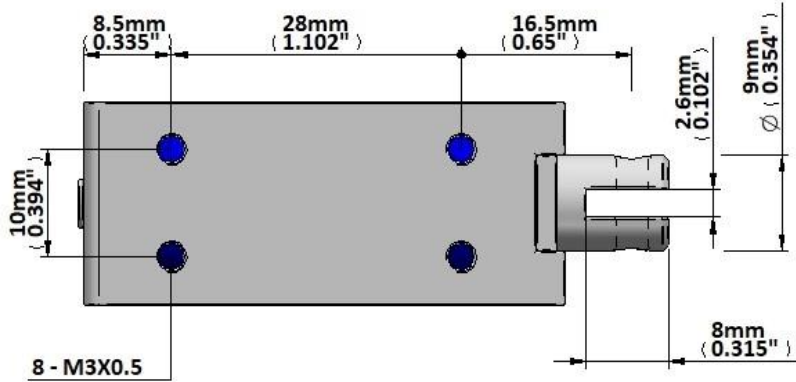




Device drawn in energised condition
 Life Expectancy >250K cycles
 Leadwires UL1007, 22AWG, 320mm

Plunger Mass 20 grammes
 Total Mass 98 grammes



Data at 20°C, device performance measured without heat sink

duty cycle = $\frac{\text{"on" time}}{\text{"on" time} + \text{"off" time}} \times 100\%$		100% cont.	50% or less	25% or less	10% or less	
Max. "on" time in seconds		∞	348	112	28	
watts at 20°C		4.3	8.6	17.2	43.0	
ampere-turns at 20°						
AWG no.	resistance	number of turns	volts DC			
	$\Omega \pm 10\%$ (at 20°C)					
RD-B945-6v	8.4	6.0	8.5	12.0	19.0	
RD-B945-12v	33.5	12.0	17.0	24.0	38.0	
RD-B945-24v	134	24.0	34.0	48.0	76.0	

Insulation Resistance >100MΩ, 500VDC Megger

Dielectric Strength 500VAC, 50/60Hz, 1 minute

Class A (105°C) insulation class