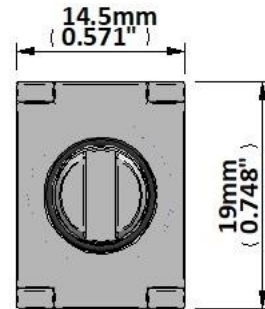
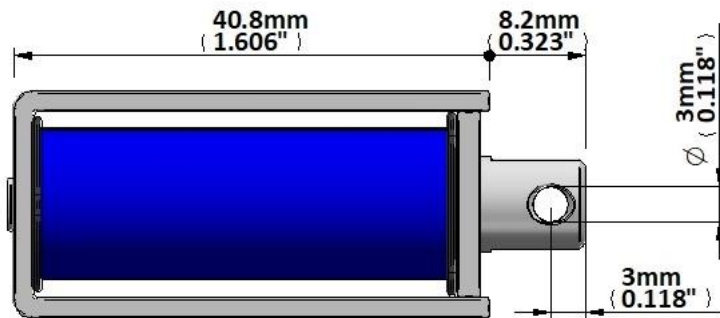
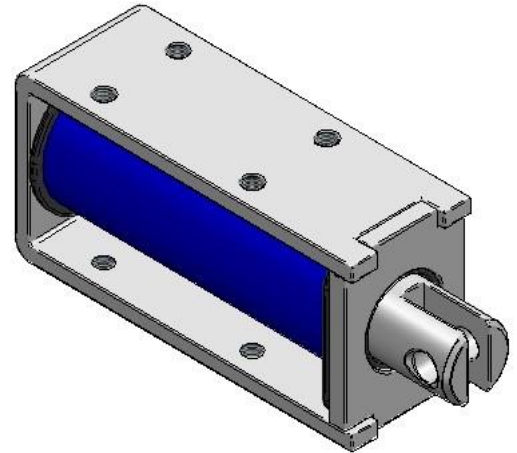
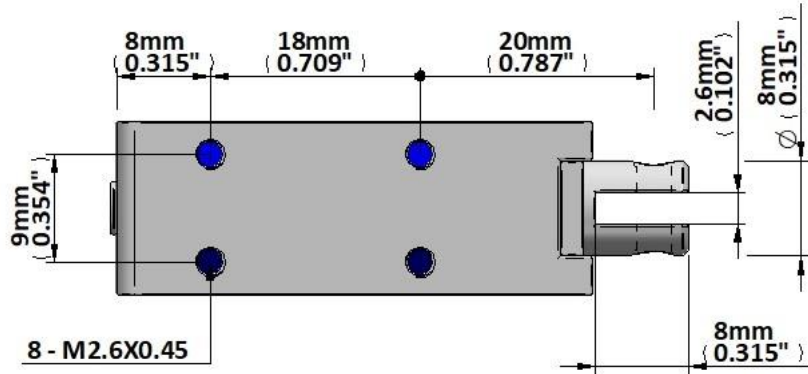


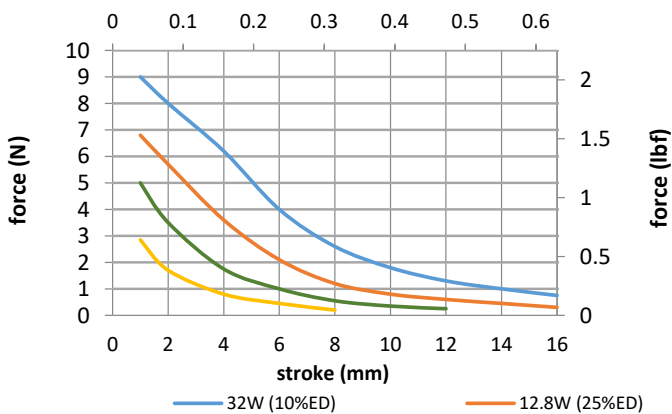


Device drawn in energised condition
 Life Expectancy >250K cycles
 Leadwires UL1007, 26AWG, 300mm

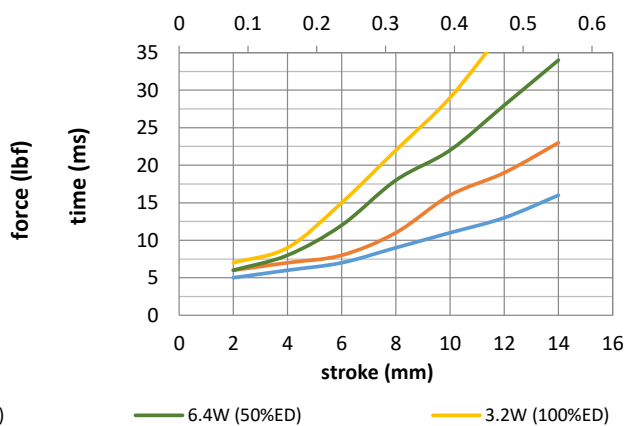
Plunger Mass 14 grammes
 Total Mass 58 grammes



Force / Stroke RD-B840
stroke (inch)



Response Time
stroke (inch)



Data at 20°C, device performance measured without heat sink

duty cycle = $\frac{\text{"on" time}}{\text{"on" time} + \text{"off" time}} \times 100\%$		100% cont.	50% or less	25% or less	10% or less
Max. "on" time in seconds		∞	277	87	18
watts at 20°C		3.2	6.4	12.8	32.0
ampere-turns at 20°					
AWG no.	resistance	number of turns	volts DC		
	$\Omega \pm 10\%$ (at 20°C)				
RD-B840-6v	11.3	6.0	8.5	12.0	19.0
RD-B840-12v	45	12.0	17.0	24.0	38.0
RD-B840-24v	180	24.0	34.0	48.0	76.0

Insulation Resistance >100MΩ, 500VDC Megger

Dielectric Strength 500VAC, 50/60Hz, 1 minute

Class A (105°C) insulation class