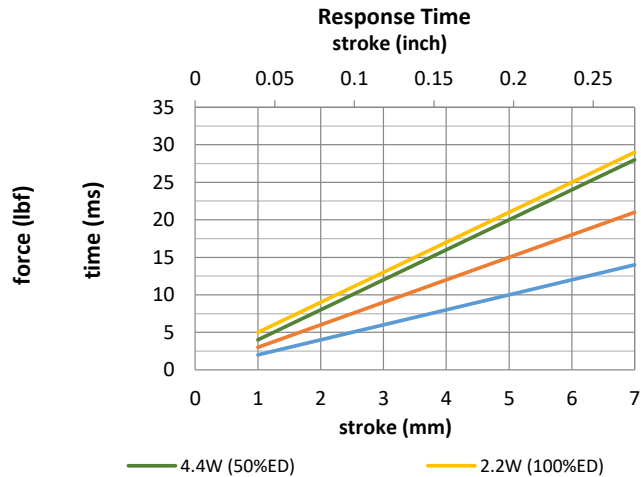
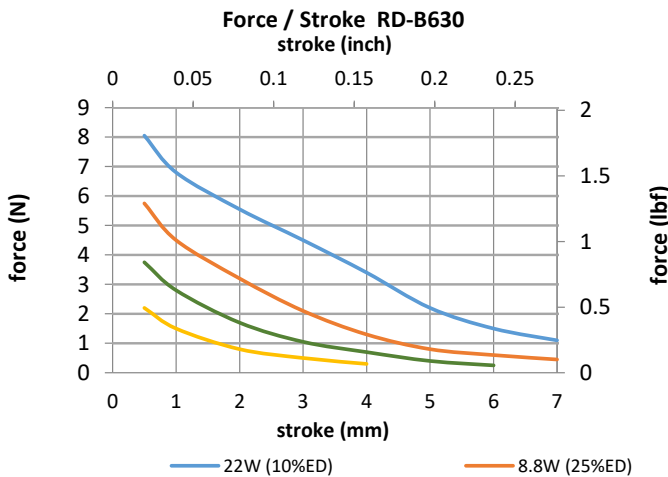
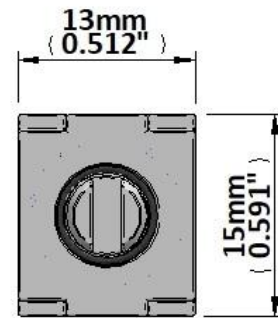
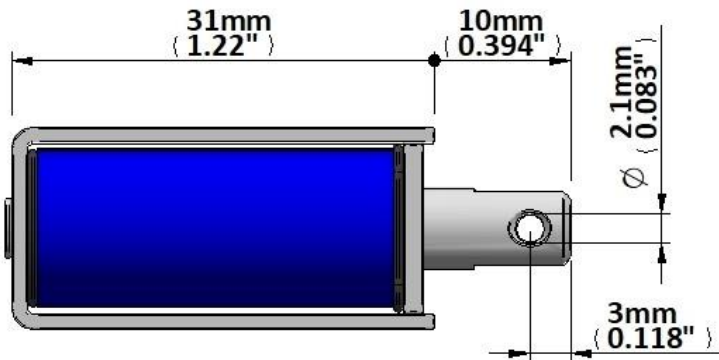
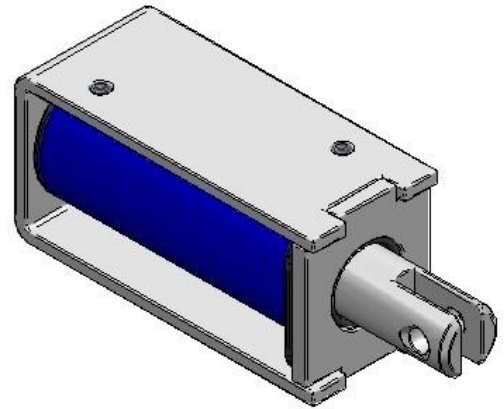
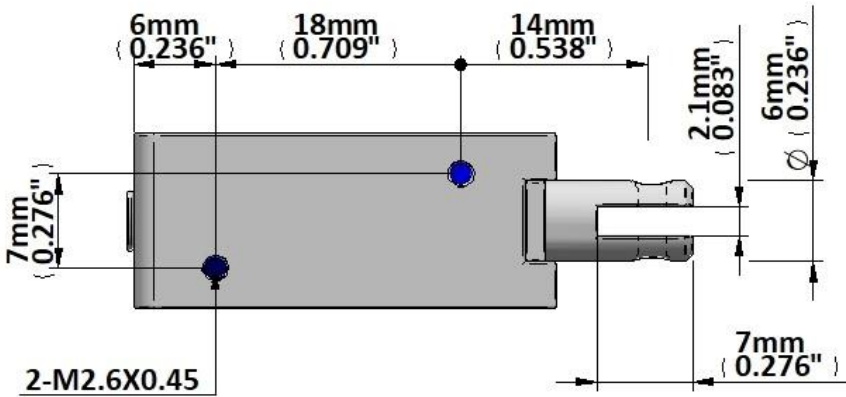




Device drawn in energised condition  
 Life Expectancy >250K cycles  
 Leadwires UL1007, 26AWG, 300mm

Plunger Mass 6 grammes  
 Total Mass 29 grammes



Data at 20°C, device performance measured without heat sink

duty cycle = $\frac{\text{"on" time}}{\text{"on" time} + \text{"off" time}} \times 100\%$		100% cont.	50% or less	25% or less	10% or less
Max. "on" time in seconds		∞	233	82	20
watts at 20°C		2.2	4.4	8.8	22.0
ampere-turns at 20°					
AWG no.	resistance Ω±10% (at 20°C)	number of turns	volts DC		
RD-B630-6v	15		6.0	8.5	12.0
RD-B630-12v	60		12.0	17.0	24.0
RD-B630-24v	240		24.0	34.0	48.0

Insulation Resistance >100MΩ, 500VDC Megger

Dielectric Strength 500VAC, 50/60Hz, 1 minute

Class A (105°C) insulation class