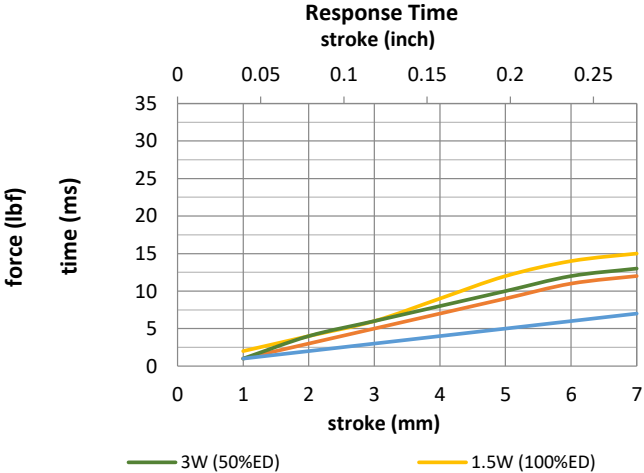
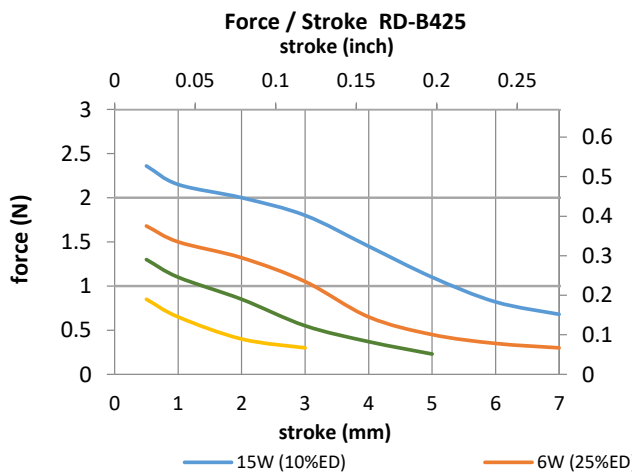
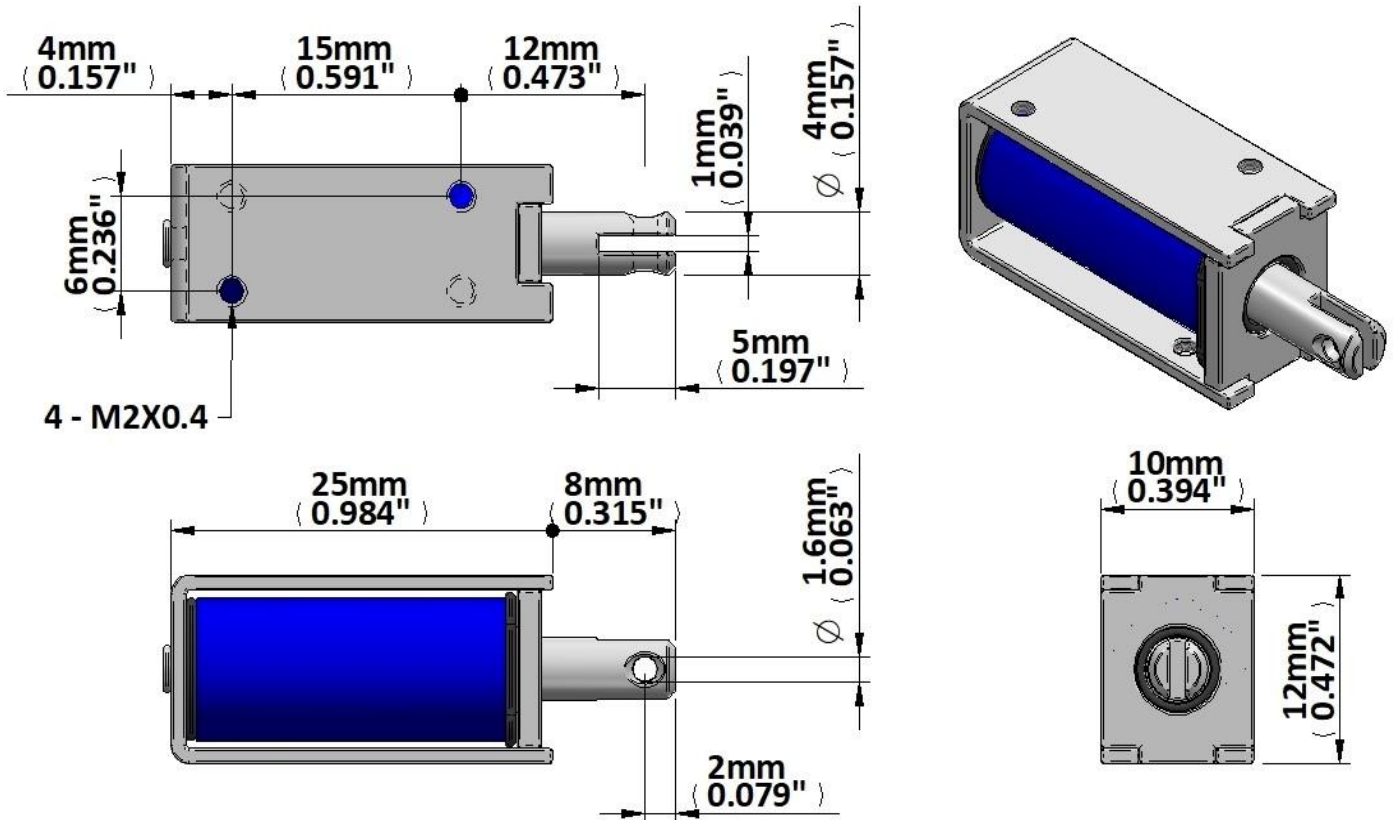




Device drawn in energised condition
 Life Expectancy >250K cycles
 Leadwires UL1571, 26AWG, 300mm

Plunger Mass 3 grammes
 Total Mass 16 grammes



Data at 20°C, device performance measured without heat sink

duty cycle = $\frac{\text{"on" time}}{\text{"on" time} + \text{"off" time}} \times 100\%$		100% cont.	50% or less	25% or less	10% or less
Max. "on" time in seconds		∞	185	65	18
watts at 20°C		1.5	3.0	6.0	15.0
ampere-turns at 20°					
AWG no.	resistance $\Omega \pm 10\%$ (at 20°C)	number of turns	volts DC		
RD-B425-6v	24		6.0	8.5	12.0
RD-B425-12v	96		12.0	17.0	24.0
RD-B425-24v	384		24.0	34.0	48.0

Insulation Resistance >100MΩ, 500VDC Megger

Dielectric Strength 500VAC, 50/60Hz, 1 minute

Class A (105°C) insulation class