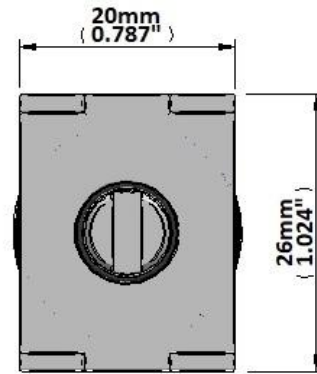
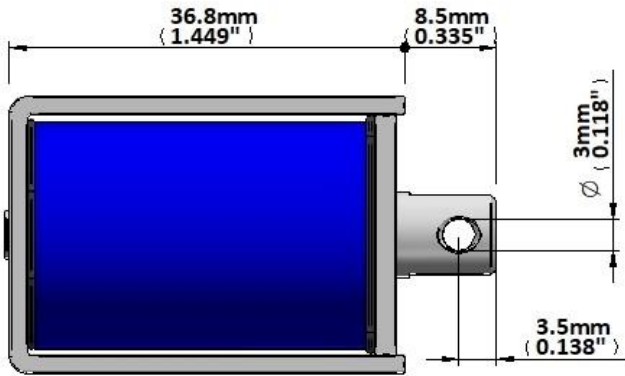
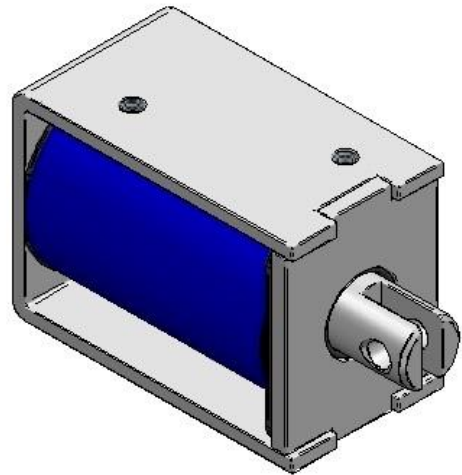
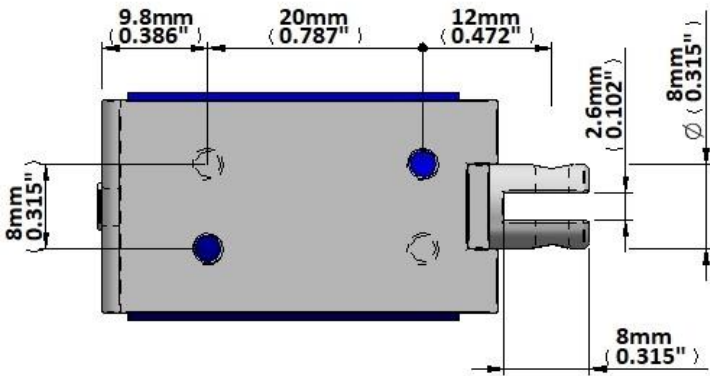


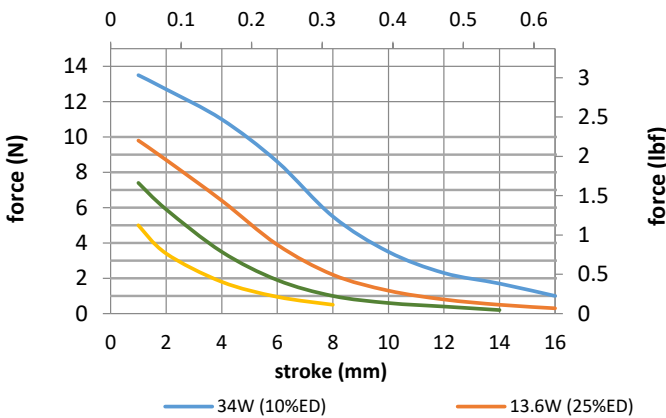


Device drawn in energised condition  
 Life Expectancy >250K cycles  
 Leadwires UL1007, 22AWG, 320mm

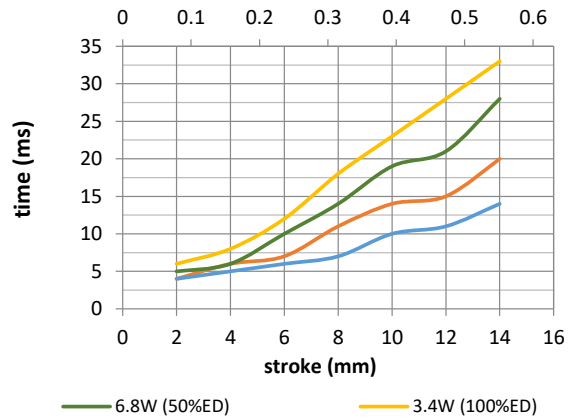
Plunger Mass 12 grammes  
 Total Mass 83 grammes



**Force / Stroke RD-A840**  
stroke (inch)



**Response Time**  
stroke (inch)



Data at 20°C, device performance measured without heat sink

duty cycle = $\frac{\text{"on" time}}{\text{"on" time} + \text{"off" time}} \times 100\%$		100% cont.	50% or less	25% or less	10% or less
Max. "on" time in seconds		∞	394	112	32
watts at 20°C		3.4	6.8	13.6	34.0
ampere-turns at 20°					
AWG no.	resistance	number of turns	volts DC		
	$\Omega \pm 10\%$ (at 20°C)				
RD-A840-6v	10.6	6.0	8.5	12.0	19.0
RD-A840-12v	42.4	12.0	17.0	24.0	38.0
RD-A840-24v	169	24.0	34.0	48.0	76.0

Insulation Resistance >100MΩ, 500VDC Megger

Dielectric Strength 500VAC, 50/60Hz, 1 minute

Class A (105°C) insulation class