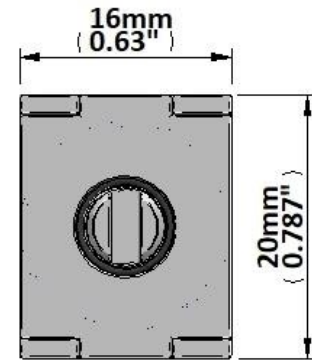
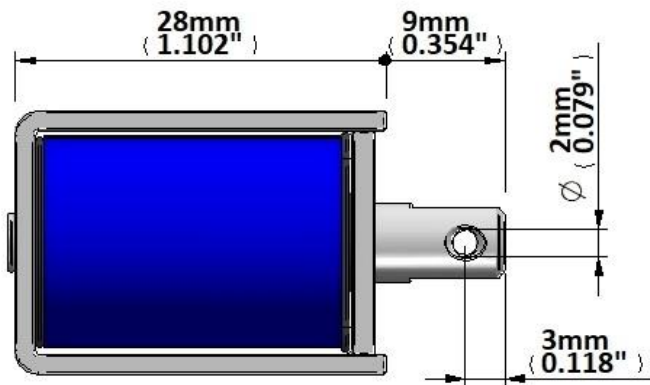
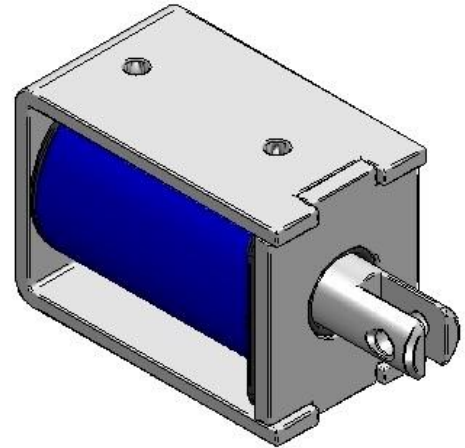
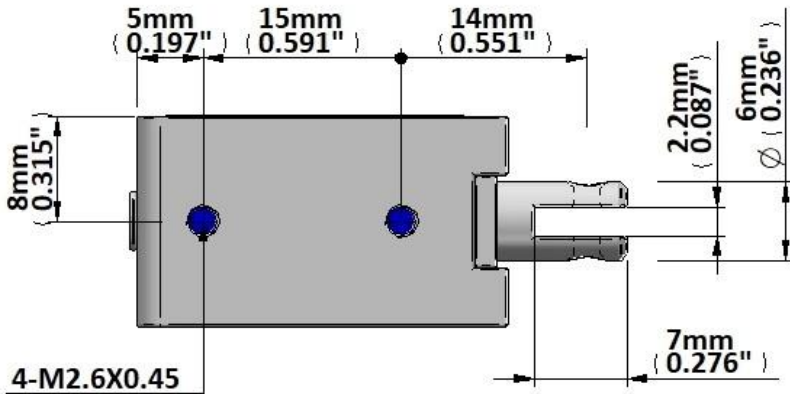


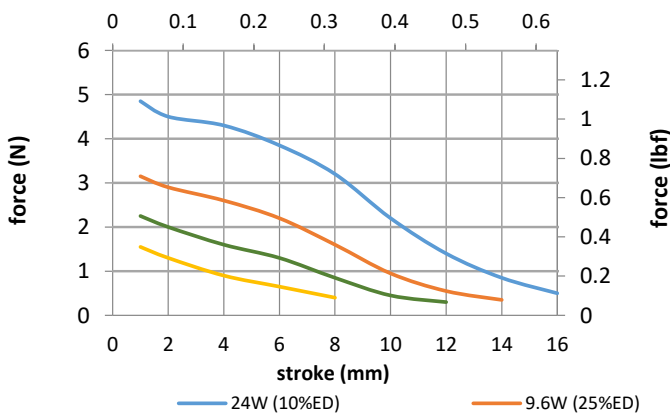


Device drawn in energised condition  
 Life Expectancy >250K cycles  
 Leadwires UL1007, 26AWG, 300mm

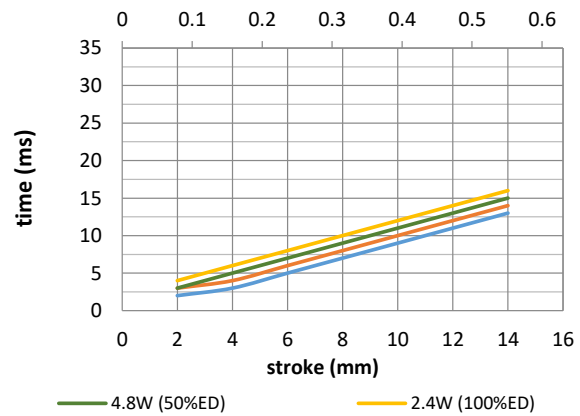
Plunger Mass 6 grammes  
 Total Mass 43 grammes



Force / Stroke RD-A628  
stroke (inch)



Response Time  
stroke (inch)



Data at 20°C, device performance measured without heat sink

duty cycle = $\frac{\text{"on" time}}{\text{"on" time} + \text{"off" time}} \times 100\%$		100% cont.	50% or less	25% or less	10% or less	
Max. "on" time in seconds		∞	319	109	23	
watts at 20°C		2.4	4.8	9.6	24.0	
ampere-turns at 20°						
AWG no.	resistance Ω±10% (at 20°C)	number of turns	volts DC			
	RD-A628-6v		15	6.0	8.5	12.0
RD-A628-12v	60	12.0	17.0	24.0	38.0	
RD-A628-24v	240	24.0	34.0	48.0	76.0	

Insulation Resistance >100MΩ, 500VDC Megger

Dielectric Strength 500VAC, 50/60Hz, 1 minute

Class A (105°C) insulation class