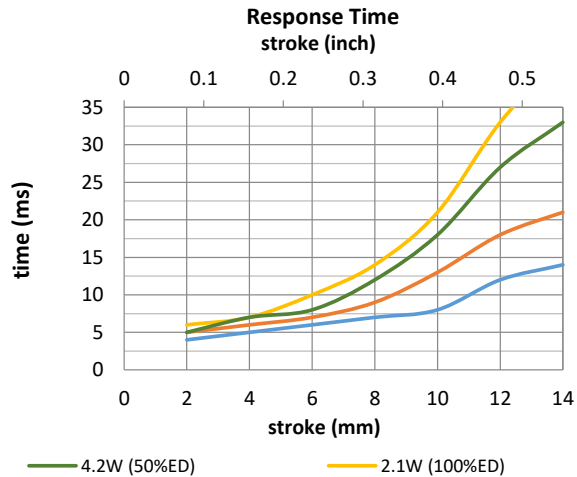
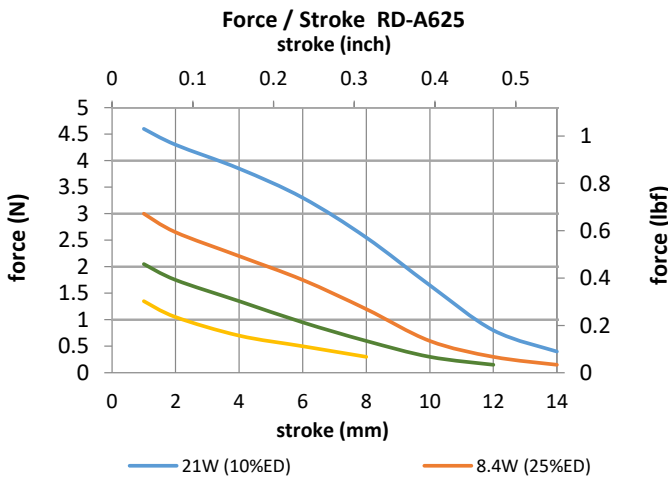
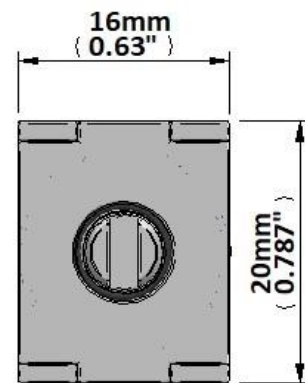
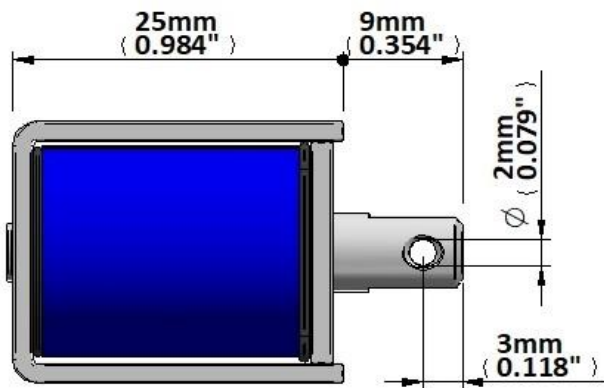
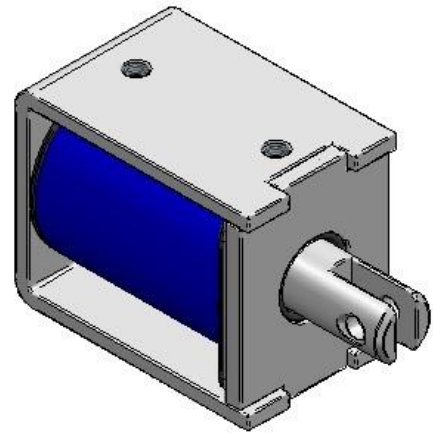
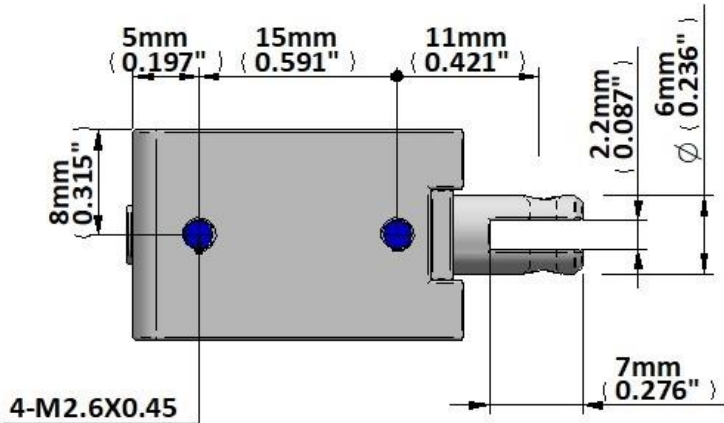




Device drawn in energised condition  
 Life Expectancy >250K cycles  
 Leadwires UL1007, 26AWG, 300mm

Plunger Mass 5 grammes  
 Total Mass 39 grammes



Data at 20°C, device performance measured without heat sink

duty cycle = $\frac{\text{"on" time}}{\text{"on" time} + \text{"off" time}} \times 100\%$		100% cont.	50% or less	25% or less	10% or less
Max. "on" time in seconds		∞	310	100	27
watts at 20°C		2.1	4.2	8.4	21.0
ampere-turns at 20°					
AWG no.	resistance $\Omega \pm 10\%$ (at 20°C)	number of turns	volts DC		
RD-A625-6v	17.1		6.0	8.5	12.0
RD-A625-12v	68.6		12.0	17.0	24.0
RD-A625-24v	274		24.0	34.0	48.0

Insulation Resistance >100MΩ, 500VDC Megger

Dielectric Strength 500VAC, 50/60Hz, 1 minute

Class A (105°C) insulation class