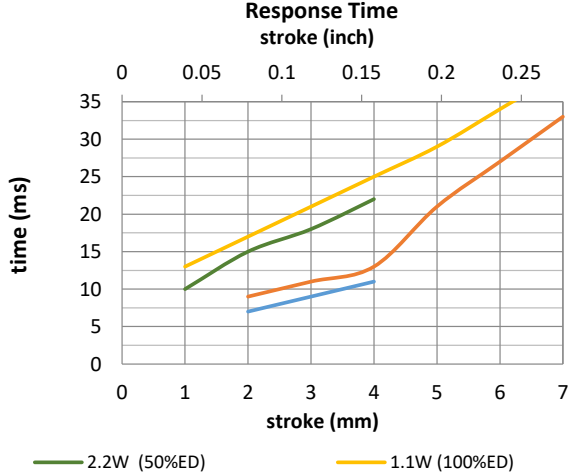
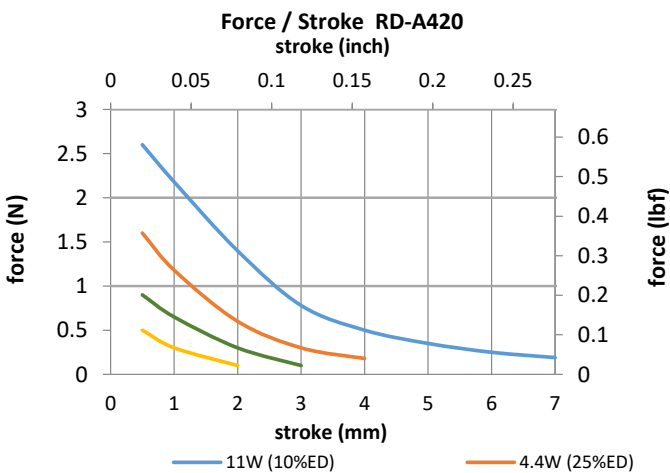
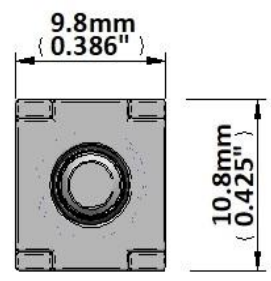
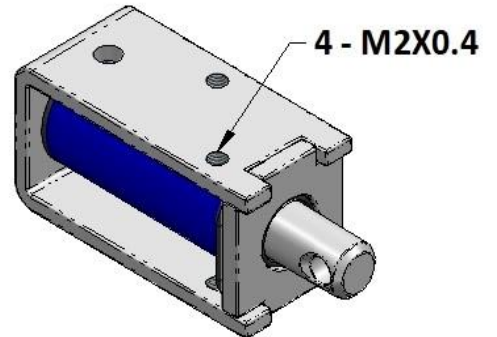
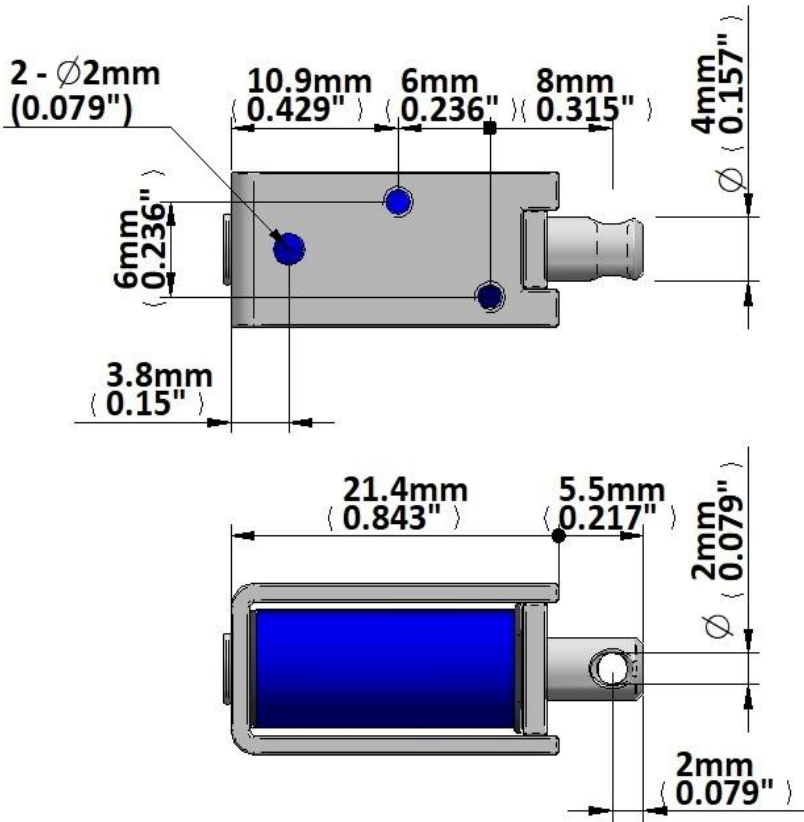




Device drawn in energised condition
 Life Expectancy >250K cycles
 Leadwires UL1571, 26AWG, 310mm±10

Plunger Mass 2 grammes
 Total Mass 12 grammes



Data at 20°C, device performance measured without heat sink

duty cycle = $\frac{\text{"on" time}}{\text{"on" time} + \text{"off" time}} \times 100\%$		100% cont.	50% or less	25% or less	10% or less
Max. "on" time in seconds		∞	155	38	14
watts at 20°C		1.1	2.2	4.4	11
ampere-turns at 20°					
AWG no.	resistance Ω±10% (at 20°C)	number of turns	volts DC		
RD-A420-6v	32.7		6.0	8.5	12.0
RD-A420-12v	131		12.0	17.0	24.0
RD-A420-24v	524		24.0	34.0	48.0

Insulation Resistance >100MΩ, 500VDC Megger

Dielectric Strength 500VAC, 50/60Hz, 1 minute

Class A (105°C) insulation class