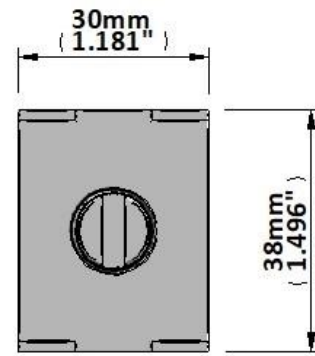
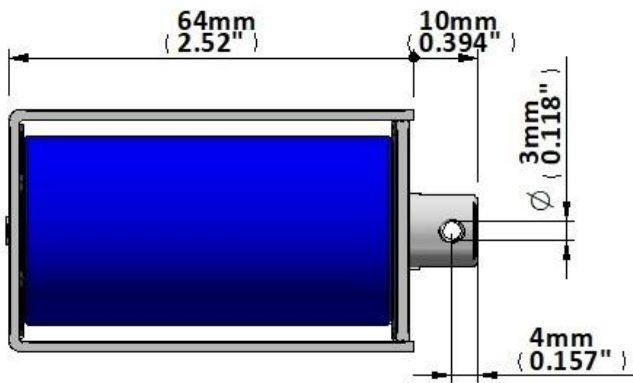
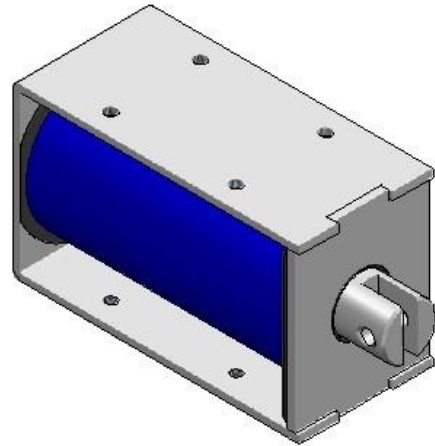
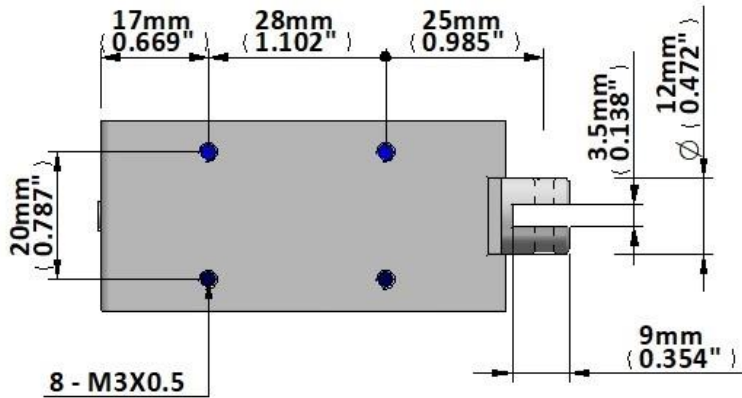


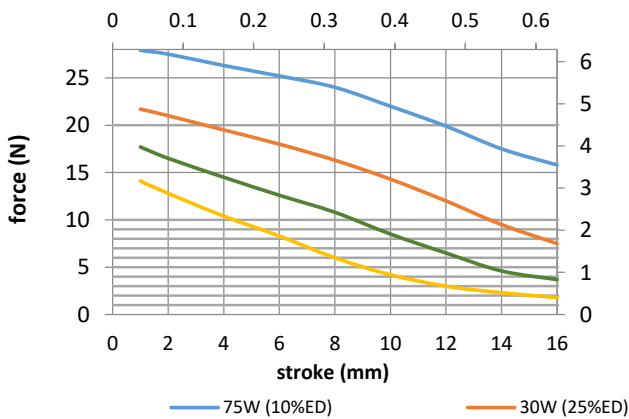


Device drawn in energised condition
 Life Expectancy >250K cycles
 Leadwires UL1007, 22AWG, 320mm

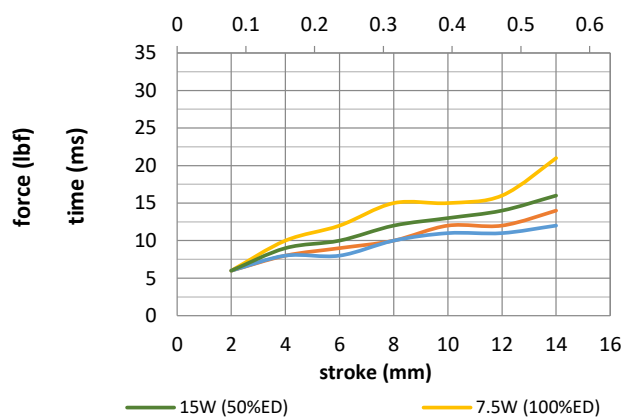
Plunger Mass 49 grammes
 Total Mass 337 grammes



Force / Stroke RD-A1264
stroke (inch)



Response Time
stroke (inch)



Data at 20°C, device performance measured without heat sink

duty cycle = $\frac{\text{"on" time}}{\text{"on" time} + \text{"off" time}} \times 100\%$		100% cont.	50% or less	25% or less	10% or less
Max. "on" time in seconds		∞	713	305	95
watts at 20°C		7.5	15.0	30.0	75.0
ampere-turns at 20°					
AWG no.	resistance $\Omega \pm 10\%$ (at 20°C)	number of turns	volts DC		
	RD-A1264-6v		4.8	6.0	8.5
RD-A1264-12v	19.2	12.0	17.0	24.0	38.0
RD-A1264-24v	76.8	24.0	34.0	48.0	76.0

Insulation Resistance >100MΩ, 500VDC Megger

Dielectric Strength 500VAC, 50/60Hz, 1 minute

Class A (105°C) insulation class