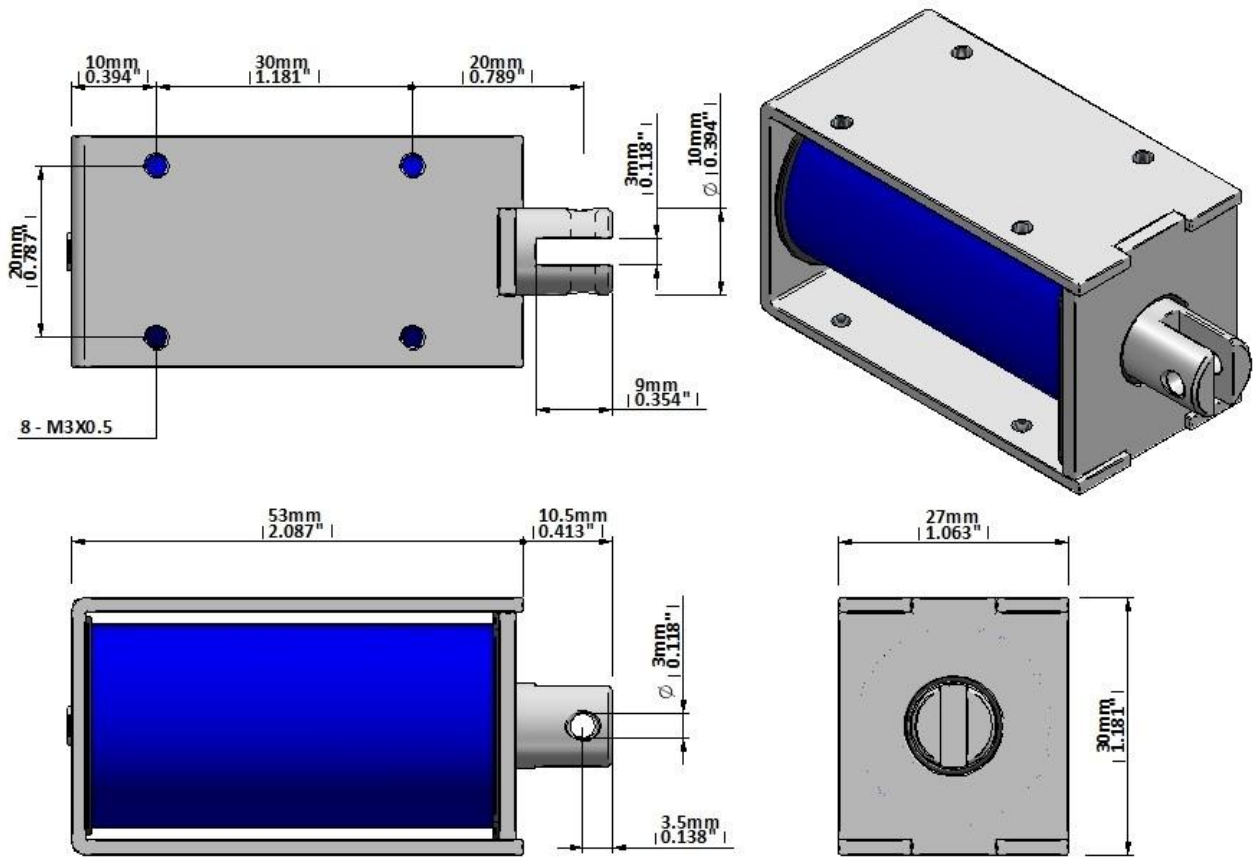


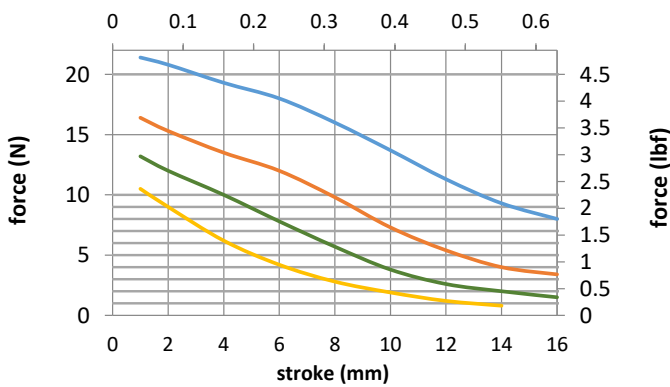


Device drawn in energised condition  
 Life Expectancy >250K cycles  
 Leadwires UL1007, 22AWG, 320mm

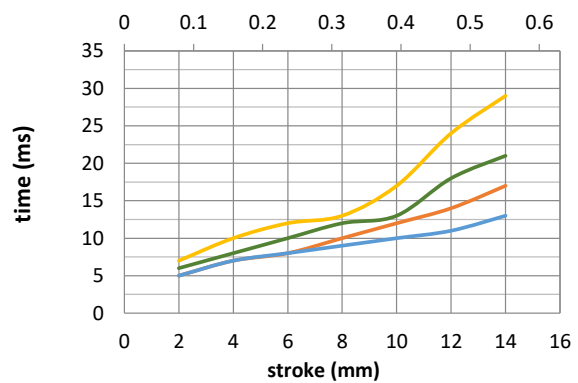
Plunger Mass 29 grammes  
 Total Mass 194 grammes



**Force / Stroke RD-A1053**  
stroke (inch)



**Response Time**  
stroke (inch)



— 54W (10%ED)      — 21.6W (25%ED)      — 10.8W (50%ED)      — 5.4W (100%ED)

Data at 20°C, device performance measured without heat sink

duty cycle = $\frac{\text{"on" time}}{\text{"on" time} + \text{"off" time}} \times 100\%$		100% cont.	50% or less	25% or less	10% or less
Max. "on" time in seconds		∞	590	192	64
watts at 20°C		5.4	10.8	21.6	54.0
ampere-turns at 20°					
AWG no.	resistance	number of turns	volts DC		
	$\Omega \pm 10\%$ (at 20°C)				
RD-A1053-6v	6.7	6.0	8.5	12.0	19.0
RD-A1053-12v	26.7	12.0	17.0	24.0	38.0
RD-A1053-24v	107	24.0	34.0	48.0	76.0

Insulation Resistance >100MΩ, 500VDC Megger

Dielectric Strength 500VAC, 50/60Hz, 1 minute

Class A (105°C) insulation class