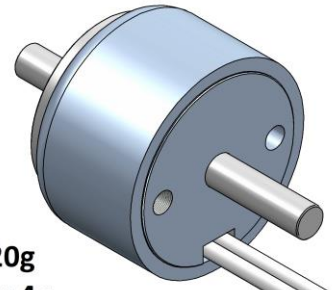
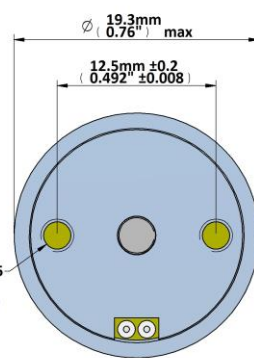
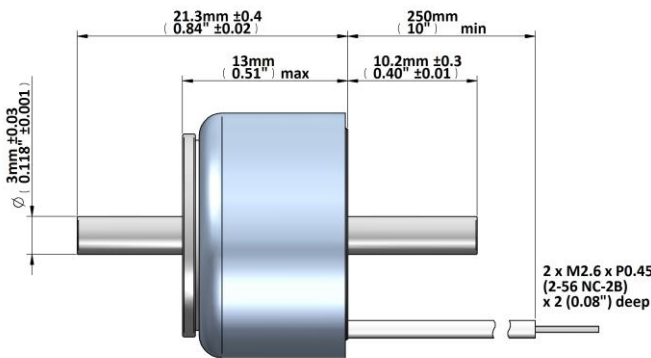




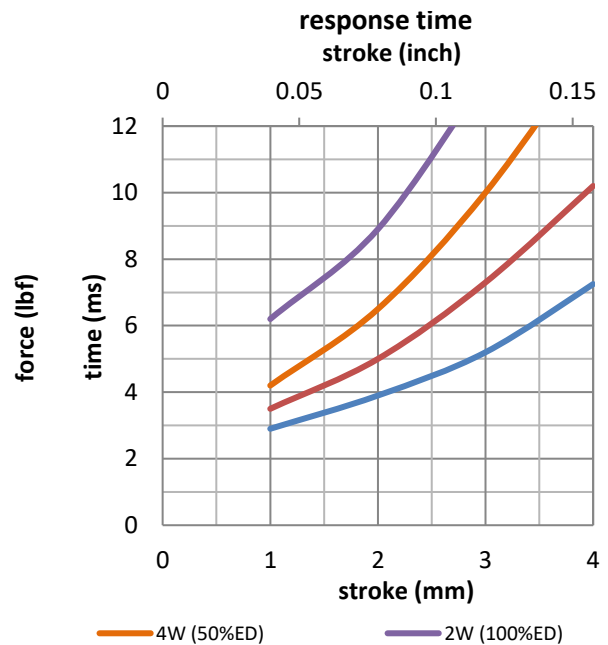
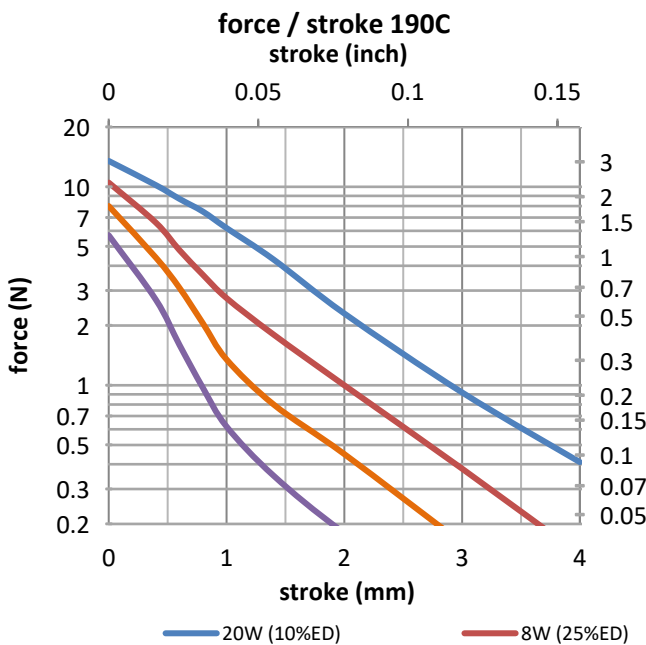
# GEEPLUS Push Pull Solenoid size 190

Device drawn in energised condition  
conical plunger  
Life Expectancy (cycles): >5M

Available mechanical options:  
M: metric thread  
F: SAE thread



Mass 20g  
Plunger 4g  
Leadwires 28AWG, UL1430



Data at 20°C, without heatsink

duty cycle = $\frac{\text{"on" time}}{\text{"on" time} + \text{"off" time}} \times 100\%$		100% cont.	50% or less	25% or less	10% or less	
Max. "on" time in seconds		$\infty$	100	36	7	
watts at 20°C		2	4	8	20	
ampere-turns at 20°		170	240	340	537	
type no.	resistance	number of turns	volts DC			
	$\Omega \pm 10\%$ (at 20°C)					
M190C-3V F190C-3V	4.9	295	3.0	4.2	6.0	9.5
M190C-6V F190C-6V	21.5	620	6.0	8.5	12	19
M190C-12V F190C-12V	89	1230	12	17	24	38
M190C-24V F190C-24V	307	2120	24	34	48	76

Insulation Resistance >100M $\Omega$ , 500VDC Megger  
Class E (120°C) insulation class

Dielectric Strength 1000VAC, 50/60Hz, 1 minute

Geeplus reserves the right to change specifications without notice

[www.geeplus.com](http://www.geeplus.com)