



# GEEPLUS Push Pull Solenoid size 141

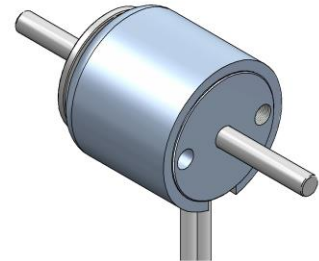
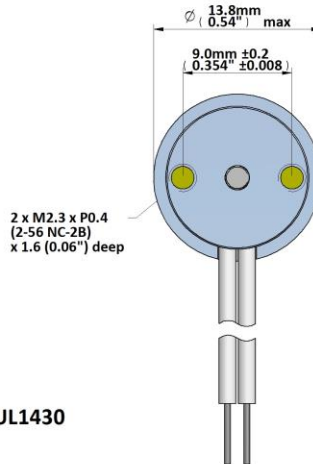
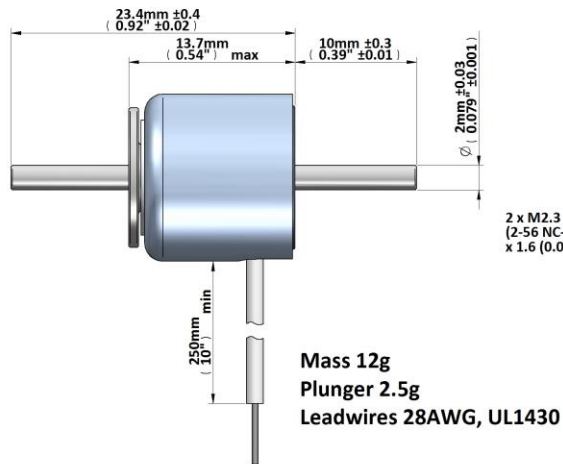
Device drawn in energised condition  
conical plunger

Life Expectancy (cycles): >5M

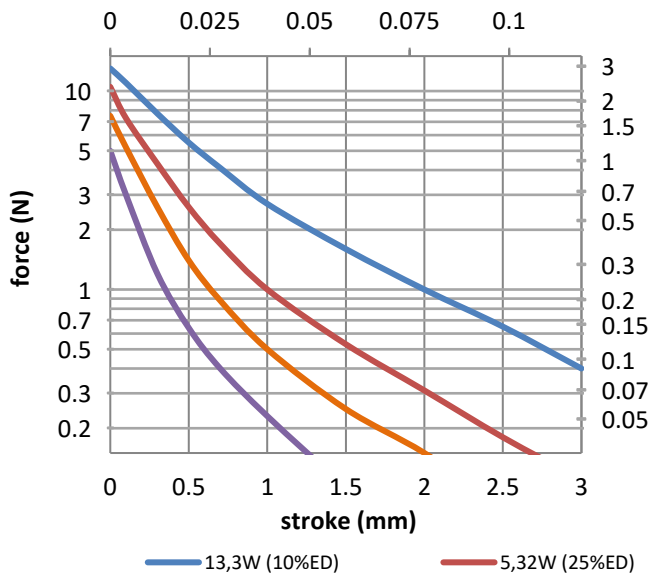
Available mechanical options:

M: metric thread

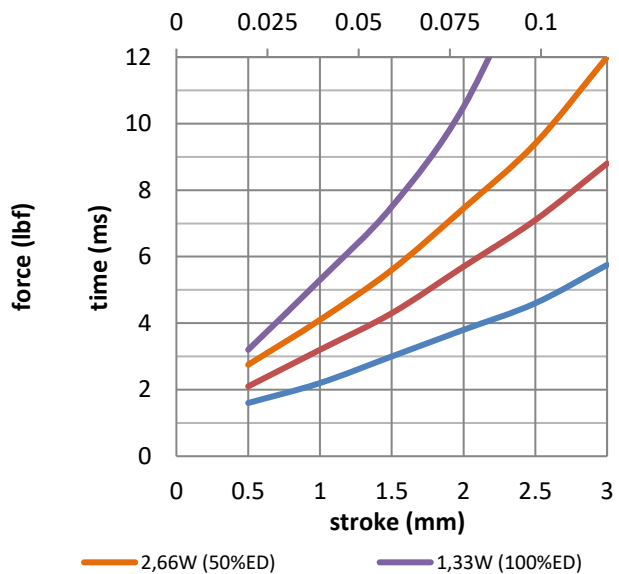
F: SAE thread



force / stroke 141C  
stroke (inch)



response time  
stroke (inch)



Data at 20°C, without heatsink

duty cycle = $\frac{\text{"on" time}}{\text{"on" time} + \text{"off" time}} \times 100\%$		100% cont.	50% or less	25% or less	10% or less	
Max. "on" time in seconds		∞	100	36	7	
watts at 20°C		1.33	2.66	5.32	13.3	
ampere-turns at 20°		133	189	267	422	
type no.	resistance	number of turns	volts DC			
	$\Omega \pm 10\%$ (at 20°C)					
M141C-3V F141C-3V	6.5	330	3.0	4.2	6.0	9.5
M141C-6V F141C-6V	30	700	6.0	8.5	12	19
M141C-12V F141C-12V	97	1200	12	17	24	38
M141C-24V F141C-24V	468	2600	24	34	48	76

Insulation Resistance >100MΩ, 500VDC Megger  
Class E (120°C) insulation class

Dielectric Strength 1000VAC, 50/60Hz, 1 minute

Geeplus reserves the right to change specifications without notice

[www.geeplus.com](http://www.geeplus.com)