



**GEEPLUS**

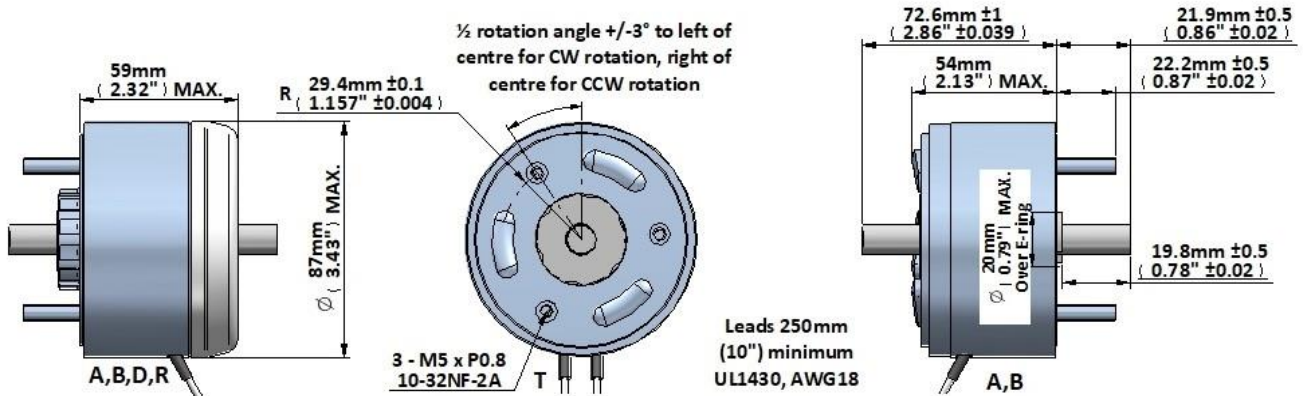
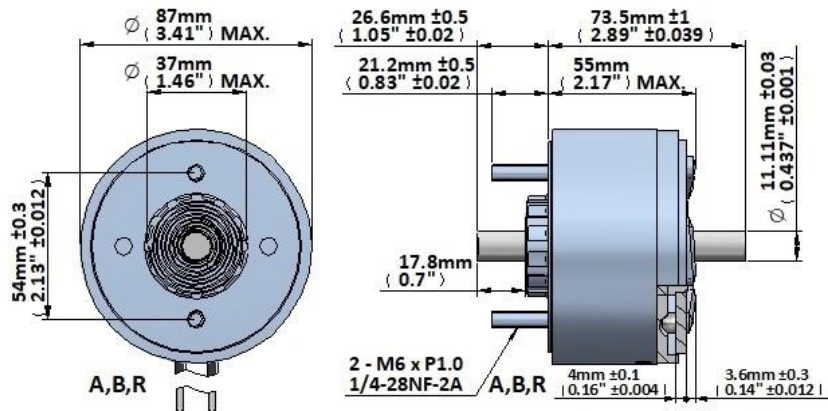
# Rotary Solenoid size 870

Device drawn in de-energised condition  
 Life Expectancy (cycles): >2M (-R),  
 >10M (-RE), >50M (-RL)

Available angle options:  
 25°, 35°, 45°, 67,5°, 95° (CW/CCW)  
 Mass 1885 grammes

- Available mechanical options:  
 A: shaft extension(armature side)  
 B: shaft extension (base side)  
 D: dust cover over the armature  
 R: return spring  
 T: tapped holes in armature plate

Note.  
 Screws should **NOT** pass the  
 bottom of the armature plate.



Data at 20°C, device connected to heatsink 520x520x3mm aluminum return spring 90 ~ 140 mNm

duty cycle = $\frac{\text{"on" time}}{\text{"on" time} + \text{"off" time}} \times 100\%$		100% cont.	75% or less	50% or less	25% or less	10% or less	
Max. "on" time in seconds		∞	85	72	43	20	
watts at 20°C		41	54.5	82	164	410	
ampere-turns at 20°		1910	2190	2750	3810	5950	
Gross starting torque at 20°C (Nm)		25°	1.84	2.65	4.25	6.9	11.300
		35°	1.38	1.84	2.76	4.5	7.35
		45°	1.15	1.5	2.2	3.9	6.2
		67,5°	0.48	0.69	1.15	1.95	3.34
95°	0.4	0.48	0.7	1.15	1.95		
AWG no.	resistance	number of turns	volts DC				
	$\Omega \pm 10\%$ (at 20°C)						
18	1.47	368	7.6	8.7	11	15.0	24.0
19	2.3	459	9.6	11	14	19.0	30.0
20	3.64	580	12	14	17.0	24.0	37.0
21	5.57	704	15	17	22	30	47
22	9.5	936	19	22	28	39	30
23	14.3	1134	24	28	35	48	75
24	23.3	1456	30	35	44	61	95
25	37.1	1836	39	44	56	77	120
26	58.6	2300	49	56	70	97	152
27	89.8	2816	61	70	88	121	189
28	139	3456	76	88	111	153	239
29	227	4480	98	111	138	193	300
30	376	5792	124	143	177	248	387
31	515	6600	148	170	212	297	-
32	785	7850	188	220	275	385	-
33	1130	9050	237	271	339	-	-

Insulation Resistance >100MΩ, 500VDC Megger

Dielectric Strength 1000VAC, 50/60Hz, 1 minute

Class E (120°C) insulation class

Geeplus reserves the right to change specifications without notice

[www.geeplus.com](http://www.geeplus.com)