



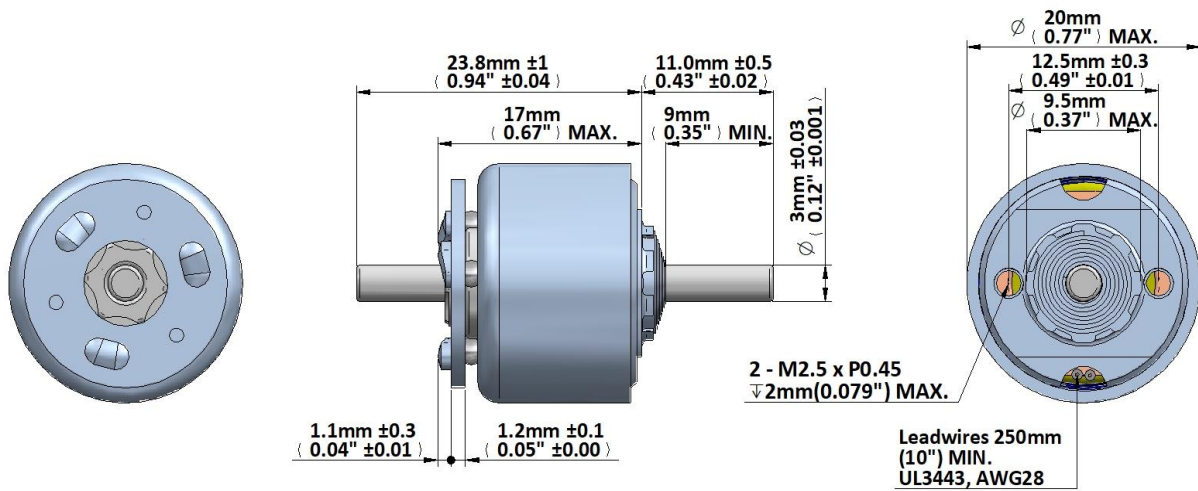
GEEPLUS

Rotary Solenoid size 190

Device drawn in de-energised condition
Life Expectancy (cycles): >2M (-R)

Available angle options:
30° (CW)
Mass 27 grammes

Note: the M190R rotary solenoid is only manufactured with a 30° rotation angle in mechanical options designated M190-xx-311R, M190-xx-231R & M190-xx-181R, where xx denotes nominal supply voltage at 25% duty cycle.



Data at 20°C, device connected to heatsink 60x60x3mm aluminum

return spring 2 ~ 4 mNm

duty cycle = $\frac{\text{"on" time}}{\text{"on" time} + \text{"off" time}} \times 100\%$		100% cont.	50% or less	25% or less	10% or less	
Max. "on" time in seconds		-	10	3	1	
watts at 20°C		-	8	16	40	
ampere-turns at 20°		-	382	540	854	
Gross starting torque		30°	-	0.01	0.02	0.04
type no.	resistance	number	volts DC			
	Ω±10% (at 20°C)	of turns				
M190-6V-xxxR F190-6V-xxxR	2.3	210	-	4.2	6.0	9.5
M190-12V-xxxR F190-12V-xxxR	9.0	420	-	8.5	12	19
M190-24V-xxxR F190-24V-xxxR	36	800	-	17	24	38
M190-48V-xxxR F190-48V-xxxR	144	1600	-	34	48	76

Insulation Resistance >100MΩ, 500VDC Megger

Dielectric Strength 1000VAC, 50/60Hz, 1 minute

Class E (120°C) insulation class

Geeplus reserves the right to change specifications without notice

www.geeplus.com