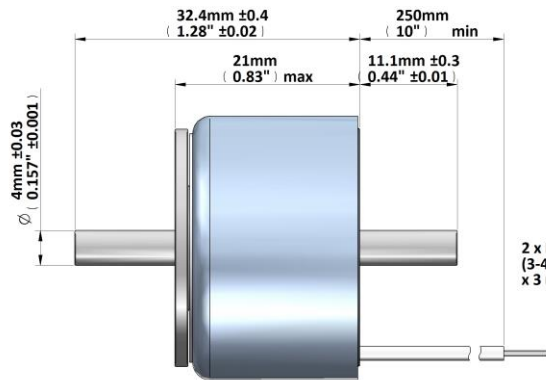




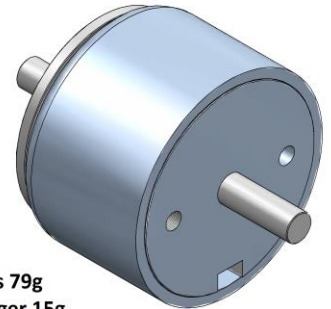
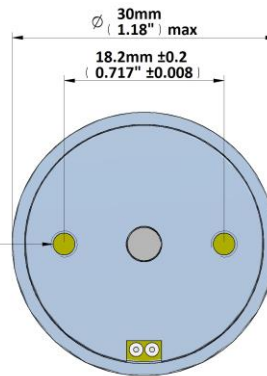
GEEPLUS Small Push Pull Solenoid size 304

Device drawn in energised condition
conical plunger
Life Expectancy (cycles): >5M

Available mechanical options:
M: metric thread
F: SAE thread

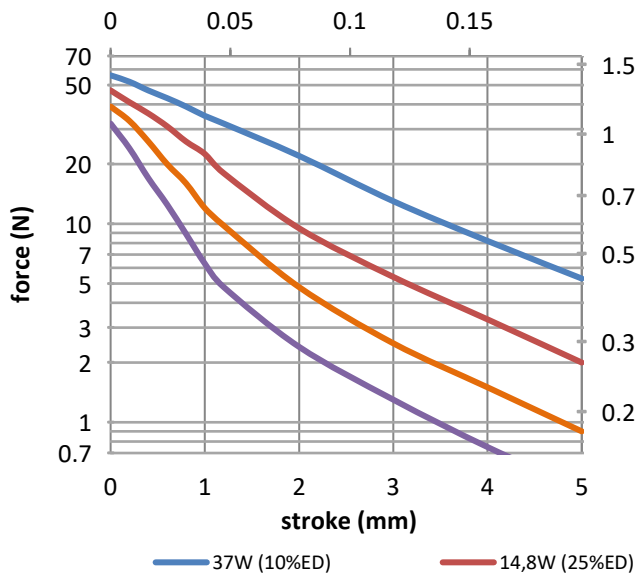


2 x M3 x P0.5
(3-48 NC-2B)
x 3 (0.12") deep

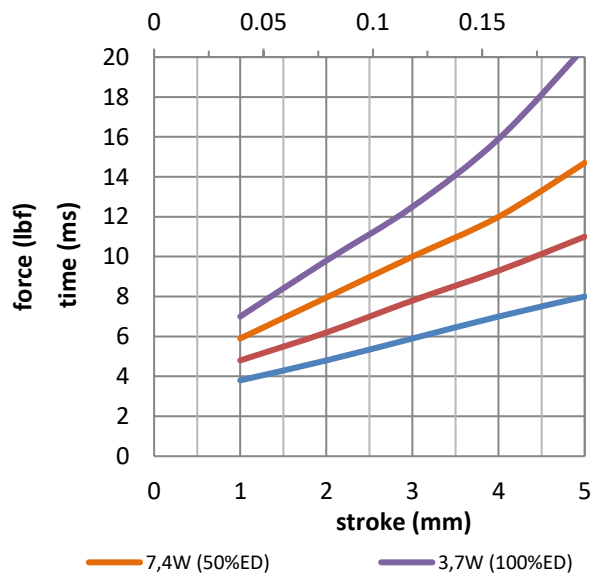


Mass 79g
Plunger 15g
Leadwires 24AWG, UL1430

force / stroke 304C
stroke (inch)



response time
stroke (inch)



Data at 20°C, without heatsink

duty cycle = $\frac{\text{"on" time}}{\text{"on" time} + \text{"off" time}} \times 100\%$		100% cont.	50% or less	25% or less	10% or less	
Max. "on" time in seconds		∞	100	36	7	
watts at 20°C		3.7	7.4	14.8	37	
ampere-turns at 20°		320	452	640	1012	
type no.	resistance	number of turns	volts DC			
	$\Omega \pm 10\%$ (at 20°C)					
M304C-3V F304C-3V	3.15	320	3.0	4.2	6.0	9.5
M304C-6V F304C-6V	10.7	575	6.0	8.5	12	19
M304C-12V F304C-12V	43	1150	12	17	24	38
M304C-24V F304C-24V	150	2140	24	34	48	76

Insulation Resistance >100MΩ, 500VDC Megger
Class E (120°C) insulation class

Dielectric Strength 1000VAC, 50/60Hz, 1 minute

Geeplus reserves the right to change specifications without notice

www.geeplus.com