



GEEPLUS Small Push Pull Solenoid size 224

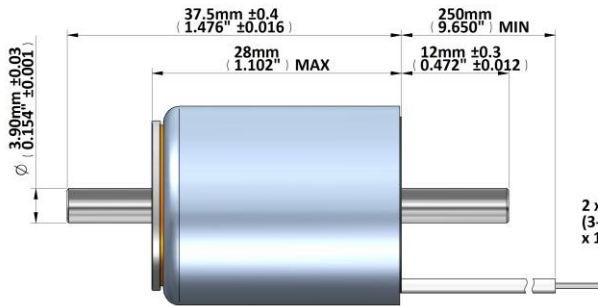
Device drawn in energised condition
conical plunger

Life Expectancy (cycles): >5M

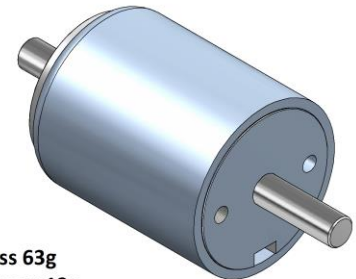
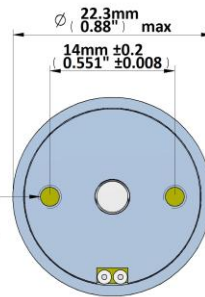
Available mechanical options:

M: metric thread

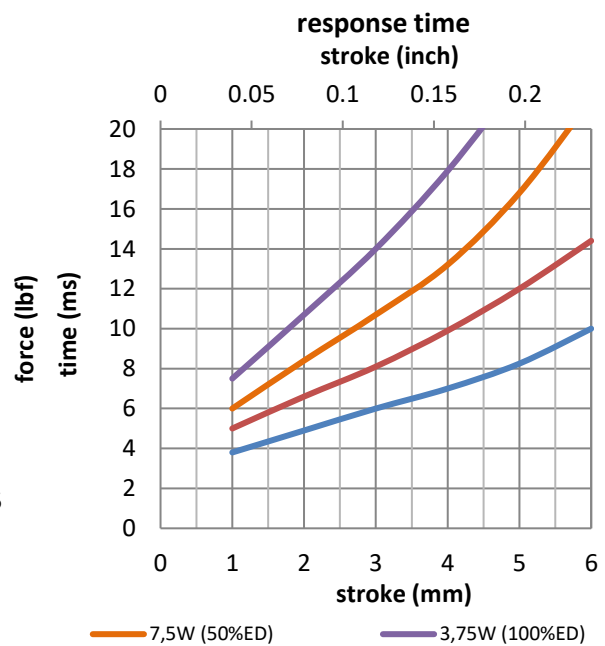
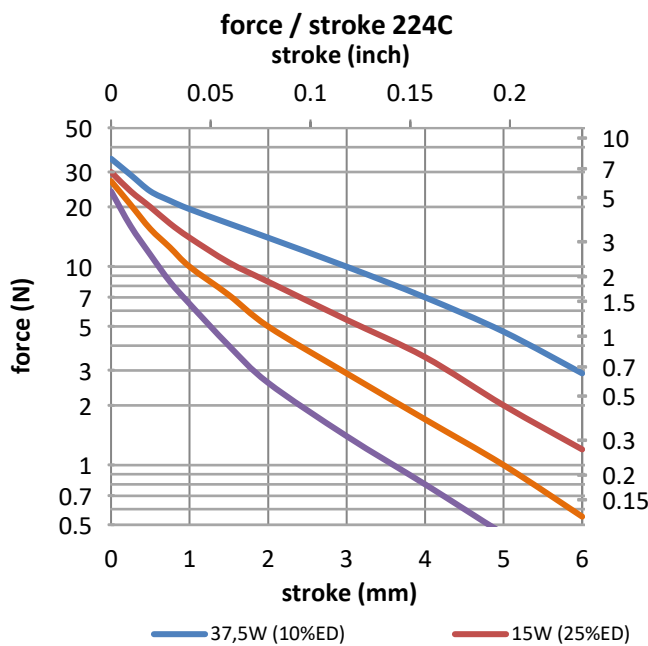
F: SAE thread



2 x M2.6 x P0.45
(3-48 NC-2B)
x 1.8 (0.07") deep



Mass 63g
Plunger 12g
Leadwires 26AWG, UL1430



Data at 20°C, without heatsink

duty cycle = $\frac{\text{"on" time}}{\text{"on" time} + \text{"off" time}} \times 100\%$		100% cont.	50% or less	25% or less	10% or less	
Max. "on" time in seconds		∞	100	36	7	
watts at 20°C		3.75	7.5	15	37.5	
ampere-turns at 20°		440	623	880	1393	
type no.	resistance	number of turns	volts DC			
	$\Omega \pm 10\%$ (at 20°C)					
M224C-3V F224C-3V	2.3	350	3.0	4.2	6.0	9.5
M224C-6V F224C-6V	10	750	6.0	8.5	12	19
M224C-12V F224C-12V	38	1460	12	17	24	38
M224C-24V F224C-24V	167	3060	24	34	48	76

Insulation Resistance >100MΩ, 500VDC Megger
Class E (120°C) insulation class

Dielectric Strength 1000VAC, 50/60Hz, 1 minute

Geeplus reserves the right to change specifications without notice

www.geeplus.com