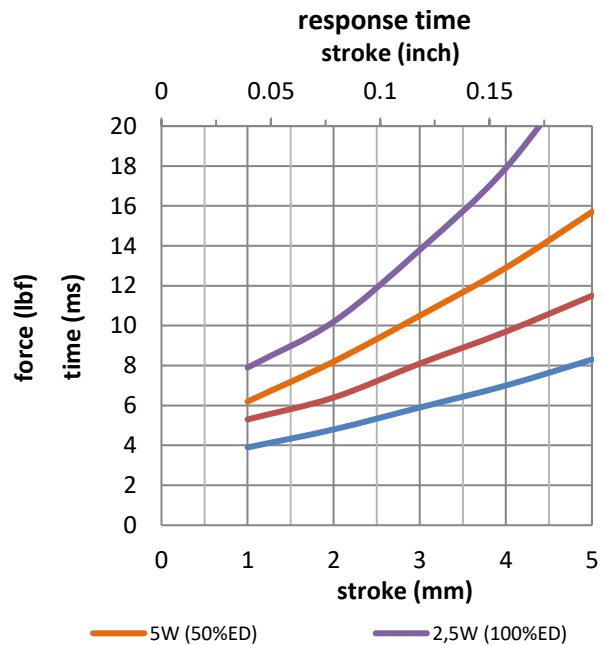
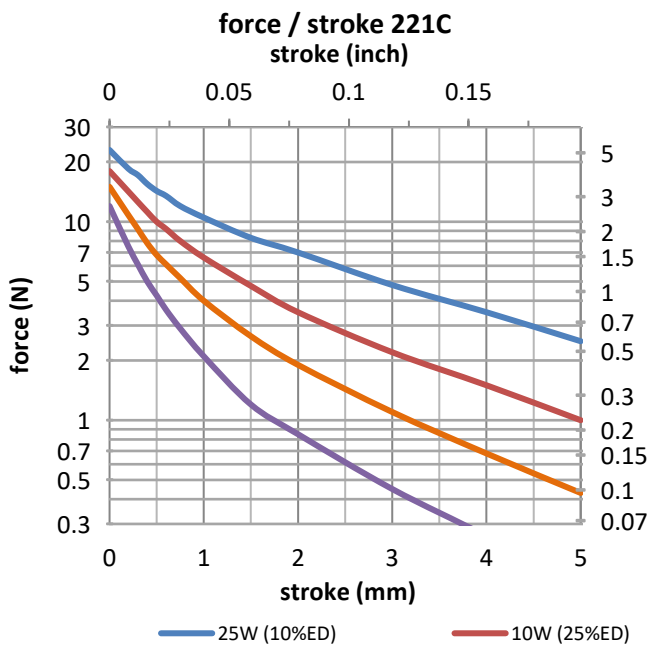
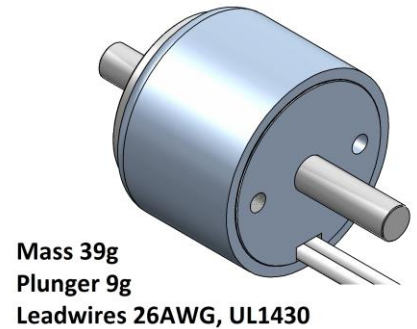
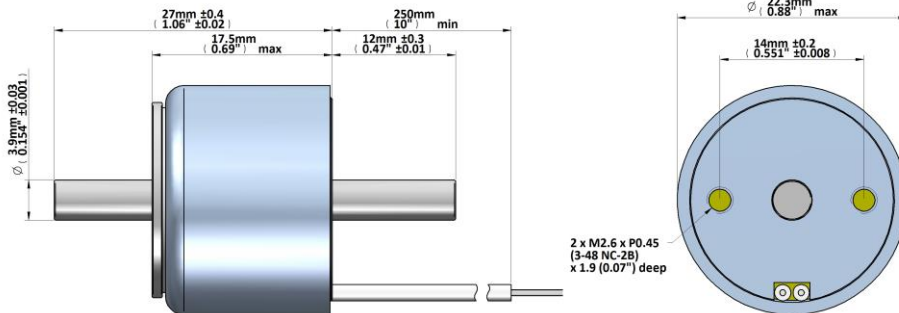




GEEPLUS Small Push Pull Solenoid size 221

Device drawn in energised condition
conical plunger
Life Expectancy (cycles): >5M

Available mechanical options:
M: metric thread
F: SAE thread



Data at 20°C, without heatsink

duty cycle = $\frac{\text{"on" time}}{\text{"on" time} + \text{"off" time}} \times 100\%$		100% cont.	50% or less	25% or less	10% or less	
Max. "on" time in seconds		∞	100	36	7	
watts at 20°C		2.5	5	10	25	
ampere-turns at 20°		253	358	507	803	
type no.	resistance	number of turns	volts DC			
	Ω±10% (at 20°C)					
M221C-3V F221C-3V	3.8	325	3.0	4.2	6.0	9.5
M221C-6V F221C-6V	13.8	620	6.0	8.5	12	19
M221C-12V F221C-12V	59	1260	12	17	24	38
M221C-24V F221C-24V	226	2200	24	34	48	76

Insulation Resistance >100MΩ, 500VDC Megger
Class E (120°C) insulation class

Dielectric Strength 1000VAC, 50/60Hz, 1 minute

Geeplus reserves the right to change specifications without notice

www.geeplus.com