



GEEPLUS Small Push Pull Solenoid size 194

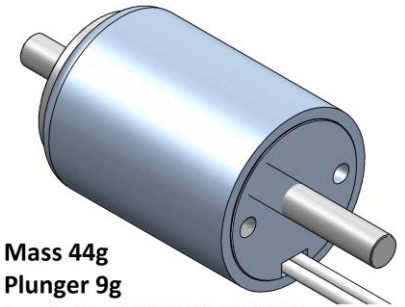
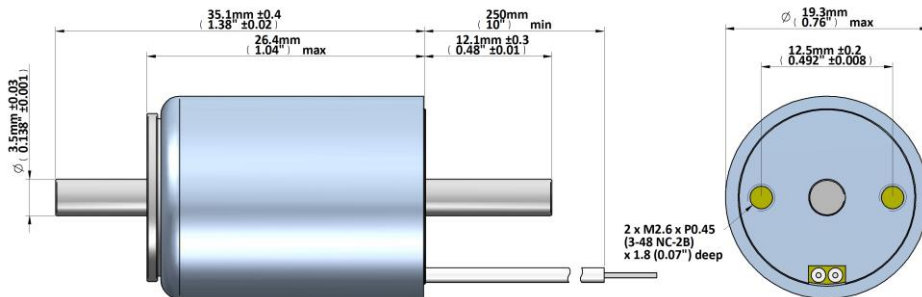
Device drawn in energised condition
conical plunger

Life Expectancy (cycles): >5M

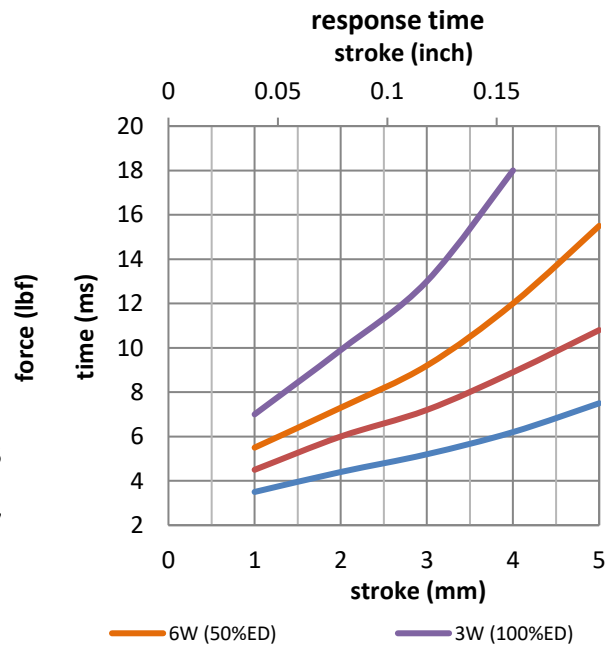
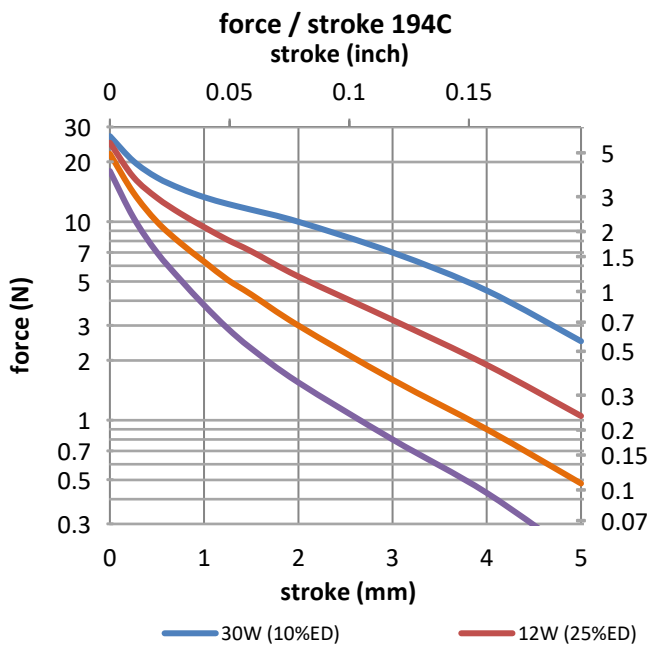
Available mechanical options:

M: metric thread

F: SAE thread



Mass 44g
Plunger 9g
Leadwires 28AWG, UL1430



Data at 20°C, without heatsink

duty cycle = $\frac{\text{"on" time}}{\text{"on" time} + \text{"off" time}} \times 100\%$		100% cont.	50% or less	25% or less	10% or less	
Max. "on" time in seconds		∞	100	36	7	
watts at 20°C		3	6	12	30	
ampere-turns at 20°		382	542	765	1211	
type no.	resistance	number of turns	volts DC			
	$\Omega \pm 10\%$ (at 20°C)					
M194C-3V F194C-3V	2.7	360	3.0	4.2	6.0	9.5
M194C-6V F194-6V	11.8	770	6.0	8.5	12	19
M194C-12V F194C-12V	49.5	1620	12	17	24	38
M194C-24V F194C-24V	185	2950	24	34	48	76

Insulation Resistance >100M Ω , 500VDC Megger
Class E (120°C) insulation class

Dielectric Strength 1000VAC, 50/60Hz, 1 minute

Geeplus reserves the right to change specifications without notice

www.geeplus.com