



GEEPLUS Small Push Pull Solenoid size 144

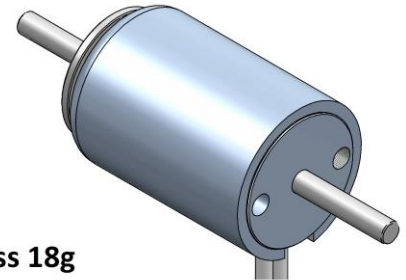
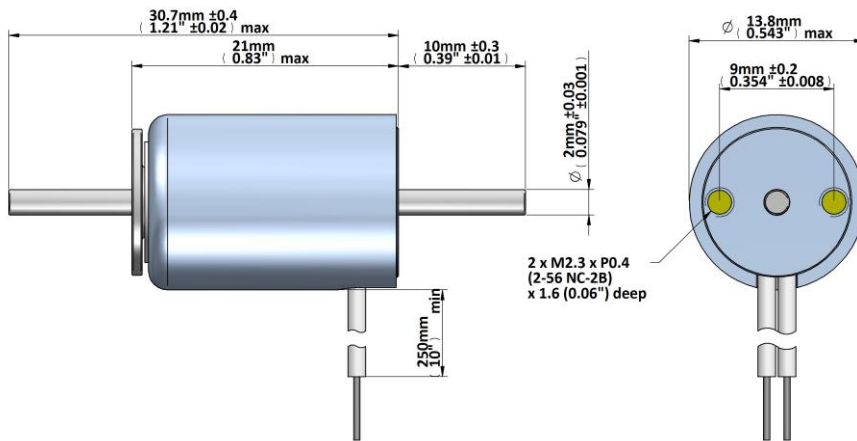
Device drawn in energised condition
conical plunger

Life Expectancy (cycles): >5M

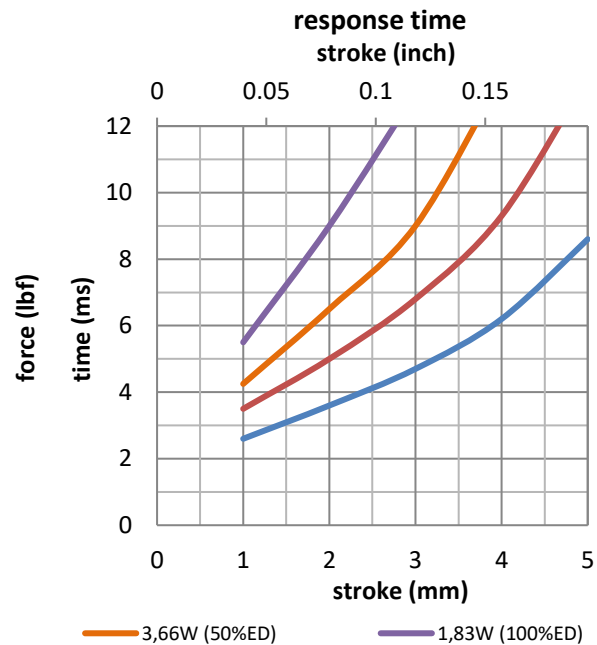
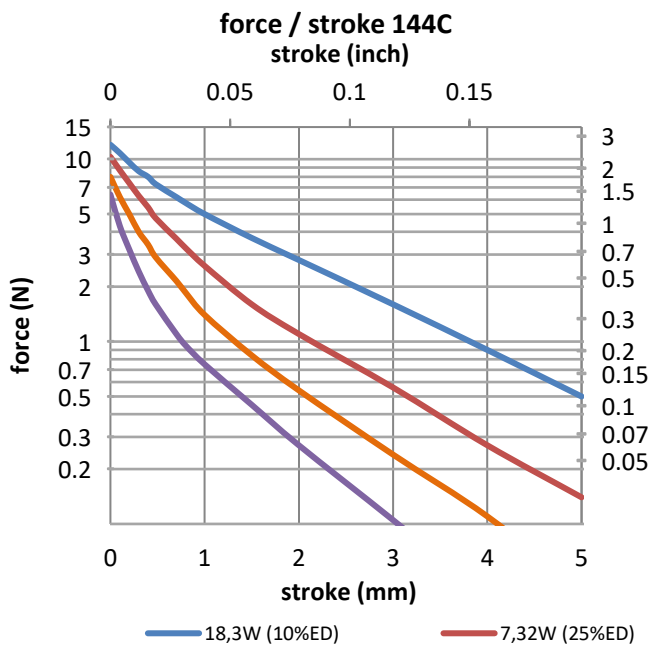
Available mechanical options:

M: metric thread

F: SAE thread



Mass 18g
Plunger 3g
Leadwires 28AWG,
UL1430



Data at 20°C, without heatsink

duty cycle = $\frac{\text{"on" time}}{\text{"on" time} + \text{"off" time}} \times 100\%$		100% cont.	50% or less	25% or less	10% or less	
Max. "on" time in seconds		∞	100	36	7	
watts at 20°C		1.83	3.66	7.32	18.3	
ampere-turns at 20°		236	334	472	746	
type no.	resistance	number of turns	volts DC			
	$\Omega \pm 10\%$ (at 20°C)					
M144C-3V F144C-3V	5.0	415	3.0	4.2	6.0	9.5
M144C-6V F144C-6V	22.7	910	6.0	8.5	12	19
M144C-12V F144C-12V	91.5	1750	12	17	24	38
M144C-24V F144C-24V	329	3150	24	34	48	76

Insulation Resistance >100M Ω , 500VDC Megger
Class E (120°C) insulation class

Dielectric Strength 1000VAC, 50/60Hz, 1 minute

Geeplus reserves the right to change specifications without notice

www.geeplus.com