



# GEEPLUS Small Push Pull Solenoid size 110

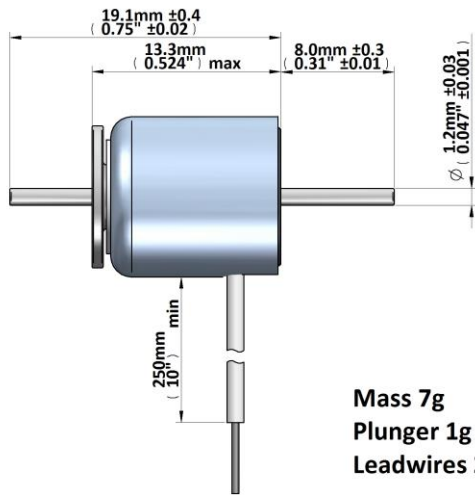
Device drawn in energised condition  
conical plunger

Life Expectancy (cycles): >5M

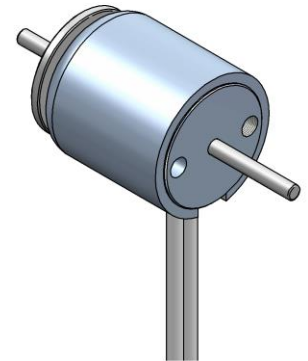
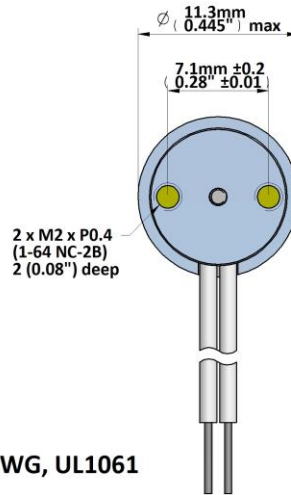
Available mechanical options:

M: metric thread

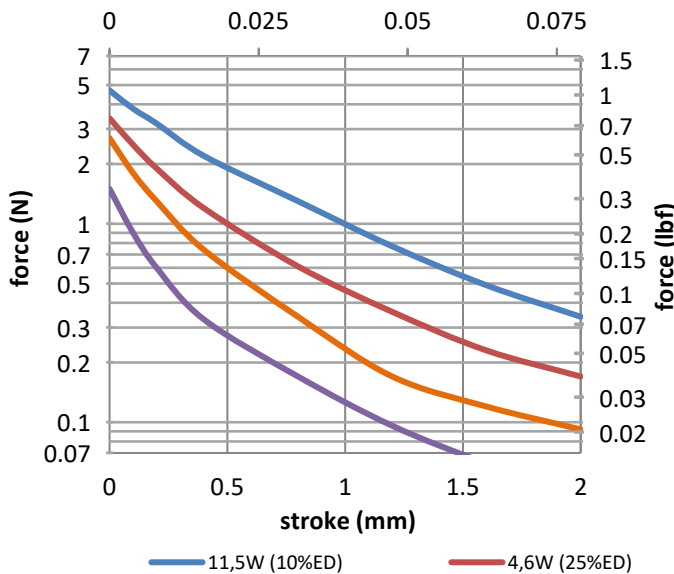
F: SAE thread



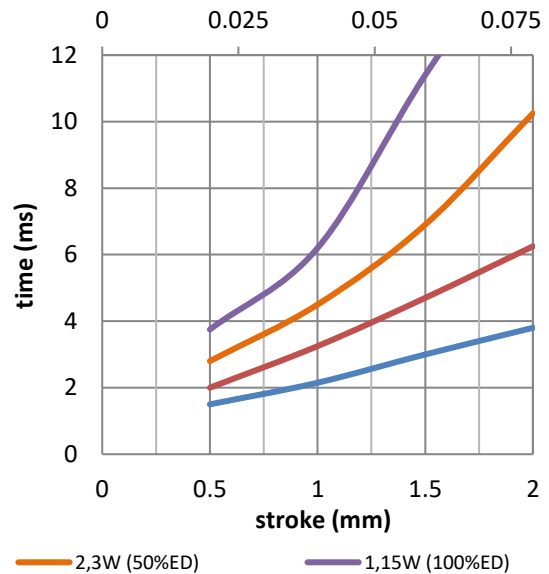
Mass 7g  
Plunger 1g  
Leadwires 28AWG, UL1061



force / stroke 110C  
stroke (inch)



response time  
stroke (inch)



Data at 20°C, without heatsink

duty cycle = $\frac{\text{"on" time}}{\text{"on" time} + \text{"off" time}} \times 100\%$		100% cont.	50% or less	25% or less	10% or less	
Max. "on" time in seconds		∞	100	36	7	
watts at 20°C		1.15	2.3	4.6	11.5	
ampere-turns at 20°		105	148	210	332	
type no.	resistance	number of turns	volts DC			
	$\Omega \pm 10\%$ (at 20°C)					
M110C-3V F110C-3V	10.5	390	3.0	4.2	6.0	9.5
M110C-6V F110C-6V	31.5	700	6.0	8.5	12	19
M110C-12V F110C-12V	143.0	1450	12	17	24	38

Insulation Resistance >100M $\Omega$ , 500VDC Megger  
Class A (105°C) insulation class

Dielectric Strength 1000VAC, 50/60Hz, 1 minute

Geeplus reserves the right to change specifications without notice

[www.geeplus.com](http://www.geeplus.com)