

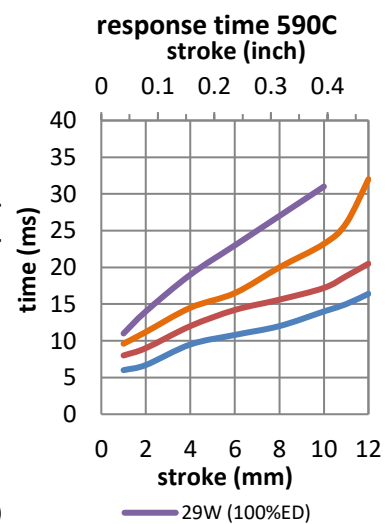
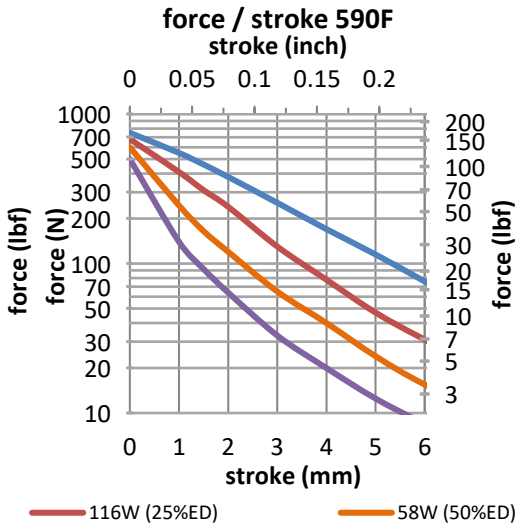
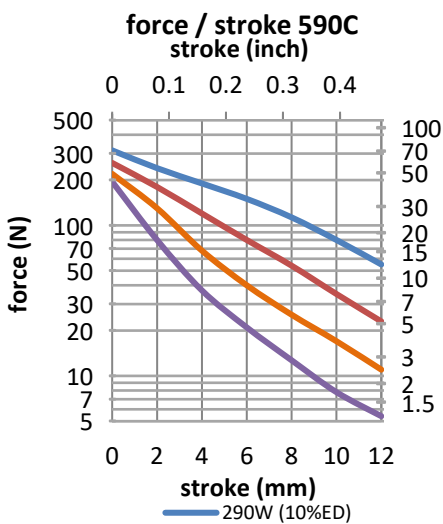
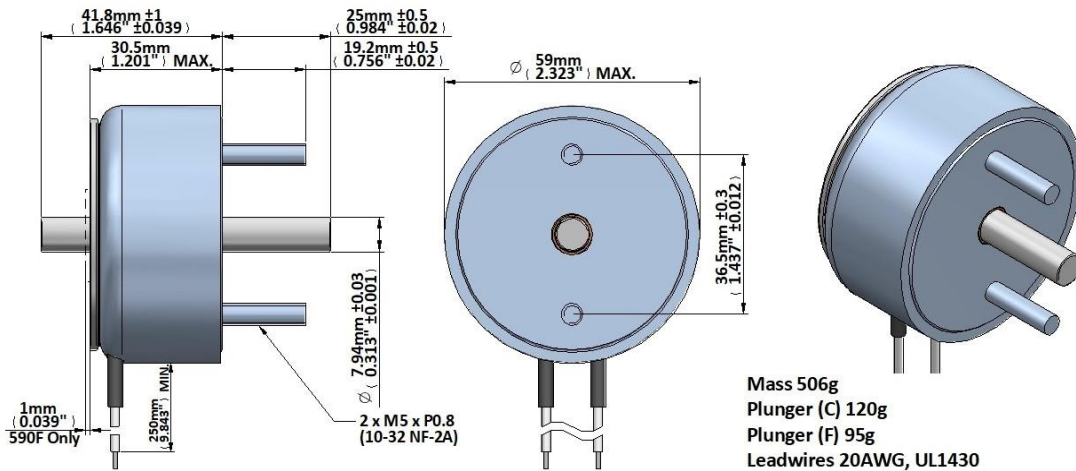


GEEPLUS

Push Pull Solenoid size 590

Device drawn in energised condition
 plunger options: conical (590C) / flat (590F)
 Life Expectancy (cycles): >2M (-P), >10M (-PE)

Available mechanical options:
 M: metric thread
 F: SAE thread



Data at 20°C, device connected to heatsink 310x310x3mm aluminum

duty cycle = $\frac{\text{"on" time}}{\text{"on" time} + \text{"off" time}} \times 100\%$		100% cont.	50% or less	25% or less	10% or less	
Max. "on" time in seconds		∞	87	36	13	
watts at 20°C		29	58	116	290	
ampere-turns at 20°		1240	1760	2490	3920	
AWG no.	resistance	number of turns	volts DC			
	Ω±10% (at 20°C)					
22	2.23	336	8.3	12	16	26
23	3.60	432	10	15	21	33
24	5.24	500	13	18	26	41
25	9.51	708	16	23	33	52
26	14.4	858	21	29	41	66
27	23.7	1110	26	37	52	83
28	38.2	1411	33	47	66	104
29	54.7	1638	41	59	83	131
30	93.7	2184	52	74	104	165
31	143	2645	66	93	131	207
32	223	3328	83	117	165	261
33	338	4004	104	147	208	329
34	550	5088	131	185	262	-
35	790	5860	165	233	330	-
36	1233	7260	208	294	-	-

Insulation Resistance >100MΩ, 500VDC Megger
 Class E (120°C) insulation class

Dielectric Strength 1000VAC, 50/60Hz, 1 minute

Geepus reserves the right to change specifications without notice

www.geepus.com