

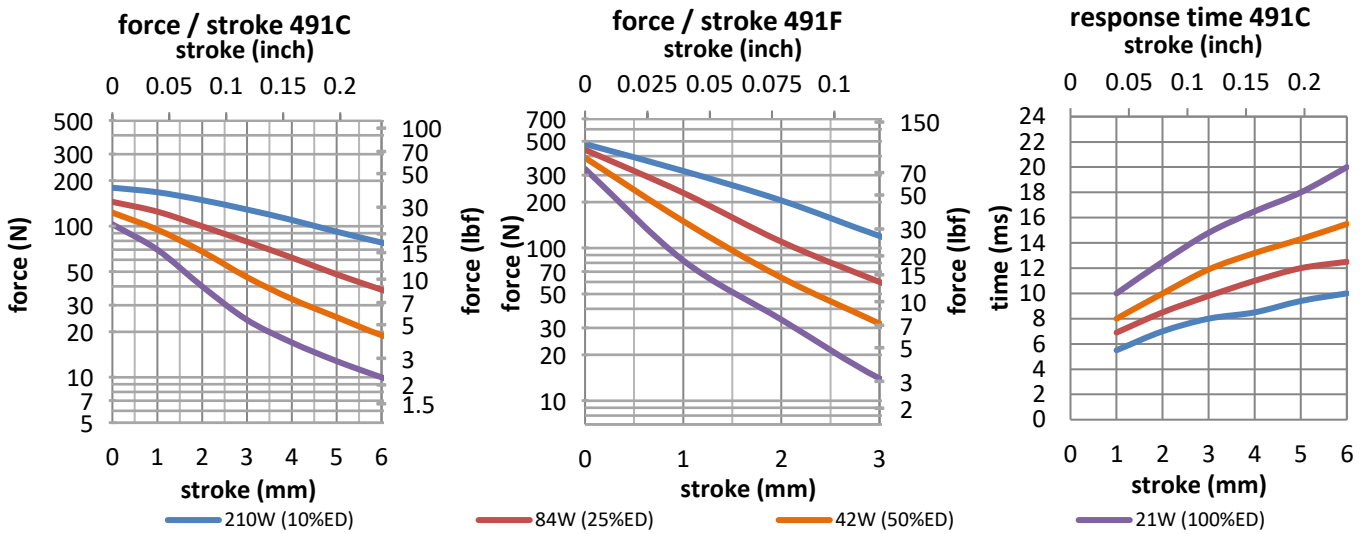
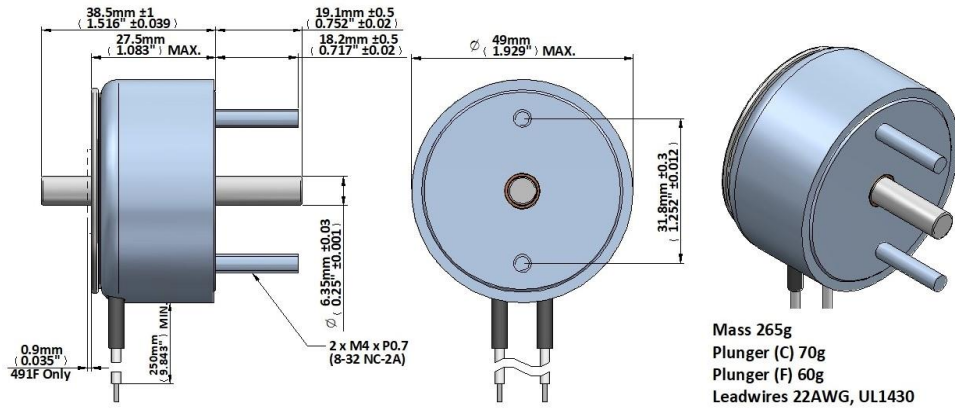


**GEEPLUS**

# Push Pull Solenoid size 491

Device drawn in energised condition  
 plunger options: conical (491C) / flat (491F)  
 Life Expectancy (cycles): >2M (-P), >10M (-PE)

Available mechanical options:  
 M: metric thread  
 F: SAE thread



Data at 20°C, device connected to heatsink 190x190x3mm aluminum

duty cycle = $\frac{\text{"on" time}}{\text{"on" time} + \text{"off" time}} \times 100\%$		100% cont.	50% or less	25% or less	10% or less	
Max. "on" time in seconds		∞	100	36	10	
watts at 20°C		21	42	84	210	
ampere-turns at 20°		1015	1440	2030	3210	
AWG no.	resistance	number of turns	volts DC			
	$\Omega \pm 10\%$ (at 20°C)					
21	1.00	228	4.5	6.4	8.9	14.1
22	1.68	301	5.7	8.1	11.4	17.9
23	2.70	384	7.2	10.1	14.3	23
24	4.30	486	9.0	12.7	18	28
25	6.66	590	11.5	16.2	23	36
26	10.3	737	14.0	20	28	44
27	15.7	900	17.7	25	35	56
28	26.6	1190	23	32	45	72
29	38.0	1380	28	40	56	89
30	62.1	1768	36	51	71	113
31	96.1	2166	45	64	90	143
32	157	2816	57	80	113	179
33	241	3432	71	101	143	226
34	364	4108	90	128	180	285
35	566	4920	117	166	234	370
36	910	6340	146	207	392	462
37	1224	6800	183	260	366	-

Insulation Resistance >100MΩ, 500VDC Megger  
 Class E (120°C) insulation class

Dielectric Strength 1000VAC, 50/60Hz, 1 minute

Geeplus reserves the right to change specifications without notice

[www.geeplus.com](http://www.geeplus.com)