



GEEPLUS

Tubular Solenoid size 130

Device drawn in energised condition

Available plunger options:

pull (-Lx) / push (-Hx)

Life Expectancy (cycles):

>2M (-L, ;-H),

>5M (-LE, ;-HE),

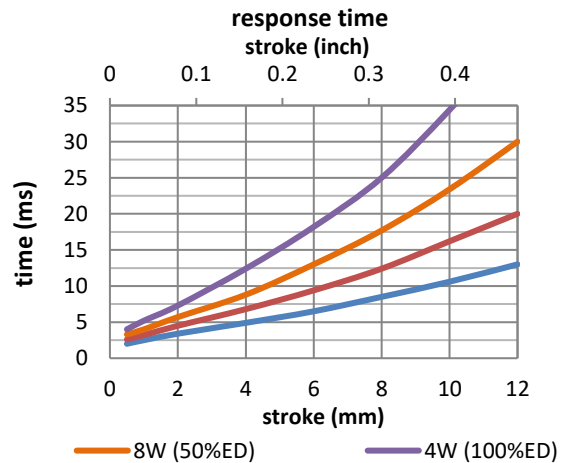
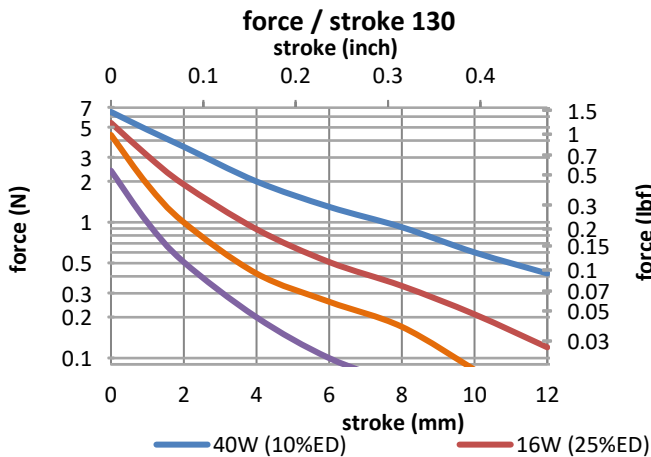
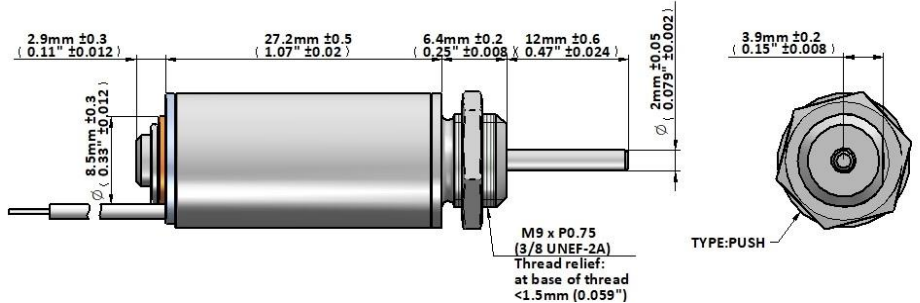
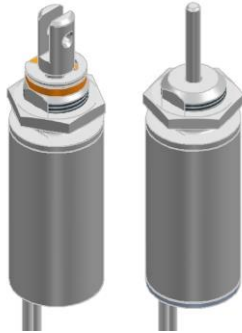
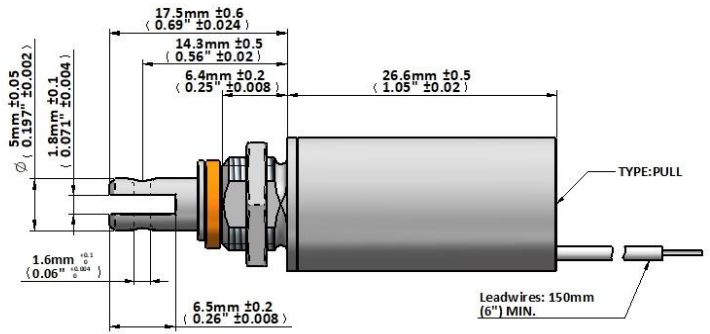
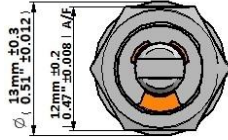
>10M (-LL, -HL)

Available mechanical options:

M: metric thread

F: SAE thread

Mass 24g
 Push Plunger 4g
 Pull Plunger 5g
 Leadwires UL1430, 28AWG



Data at 20°C, device connected to heatsink 50x50x3mm aluminum

duty cycle = $\frac{\text{"on" time}}{\text{"on" time} + \text{"off" time}} \times 100\%$		100% cont.	50% or less	25% or less	10% or less	
Max. "on" time in seconds		∞	50	5	2	
watts at 20°C		4	8	16	40	
ampere-turns at 20°		453	640	905	1440	
AWG no.	resistance	number of turns	volts DC			
	$\Omega \pm 10\%$ (at 20°C)		3.3	4.5	6.5	10.4
29	2.68	372	4.2	5.9	8.4	13.3
30	3.94	426	5.3	7.4	10.5	16.8
31	7.36	632	6.5	9.2	13.0	21
32	10.1	704	8.3	11.7	16.5	26
33	18.1	990	10.6	14.9	21	34
34	25.6	1100	13.6	19.2	27	43
35	44.2	1500	16.9	24	34	54
36	71.3	1932	21	29	41	66
37	99.0	2170	26	37	52	83
38	159.5	2768	34	48	68	109
39	300	3980	44	61	87	138
40	469	4884	53	75	107	170
41	709	6024	67	95	134	213
42	1152	7784	87	112	173	275
43	1780	9330				

Insulation Resistance >100MΩ, 500VDC Megger

Dielectric Strength 1000VAC, 50/60Hz, 1 minute

Class E (120°C) insulation class

Geeplus reserves the right to change specifications without notice

www.geeplus.com