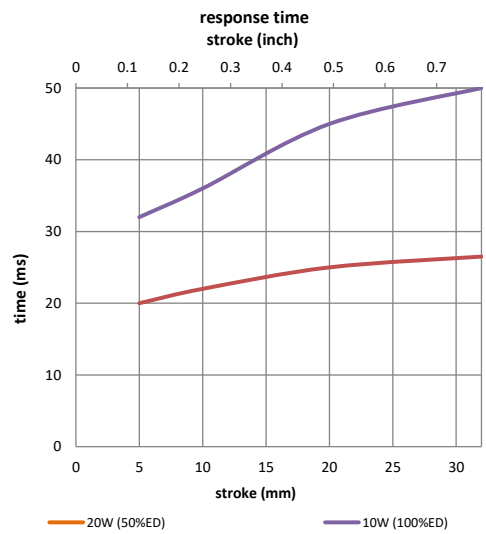
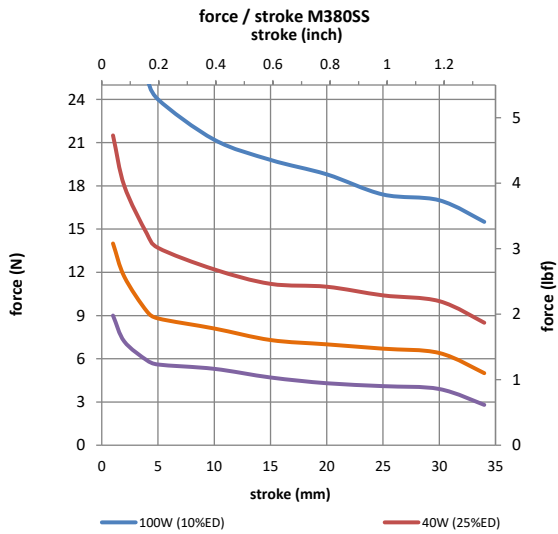
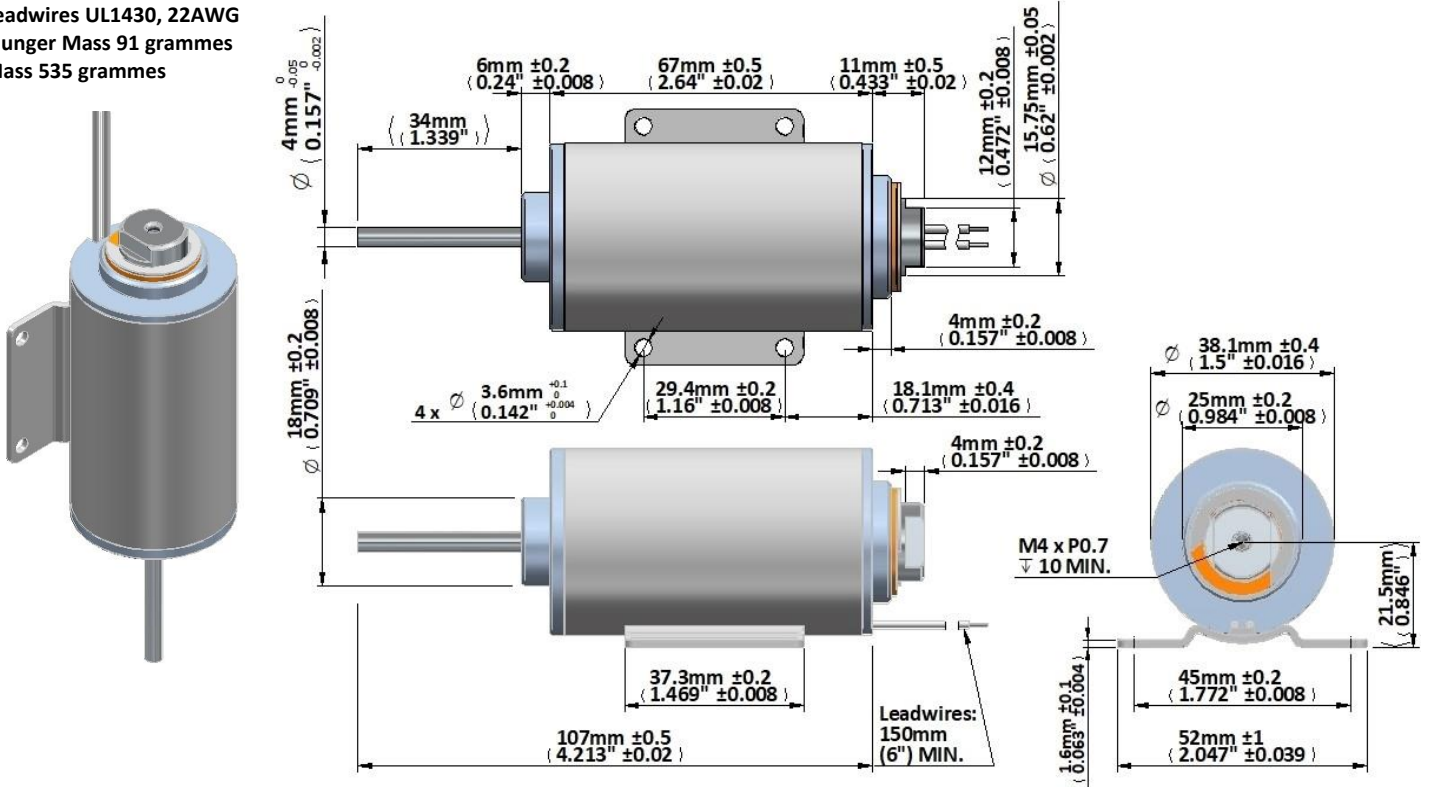


Device drawn in energised condition  
 Life Expectancy >2M cycles  
 Leadwires UL1430, 22AWG  
 Plunger Mass 91 grammes  
 Mass 535 grammes



Data at 20°C, device performance measured without heat sink

duty cycle = $\frac{\text{"on" time}}{\text{"on" time} + \text{"off" time}} \times 100\%$		100%	50%	25%	10%	
		cont.	or less	or less	or less	
Max. "on" time in seconds		∞	330	80	20	
watts at 20°C		10	20	40	100	
ampere-turns at 20°		1360	1923	2720	4300	
AWG no.	resistance	number of turns	volts DC			
	$\Omega \pm 10\%$ (at 20°C)					
M380SS-12v	15	1712	12.0	17.0	24.0	38.0
M380SS-24v	58	3322	24.0	34.0	48.0	76.0
M380SS-48v	224	6360	48.0	68.0	96.0	152.0
M380SS-96v	871	12400	96.0	136.0	192	304

Insulation Resistance >100MΩ, 500VDC Megger

Dielectric Strength 1000VAC, 50/60Hz, 1 minute

Class E (120°C) insulation class