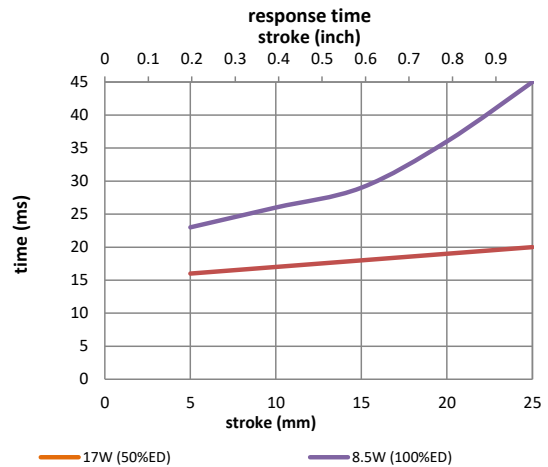
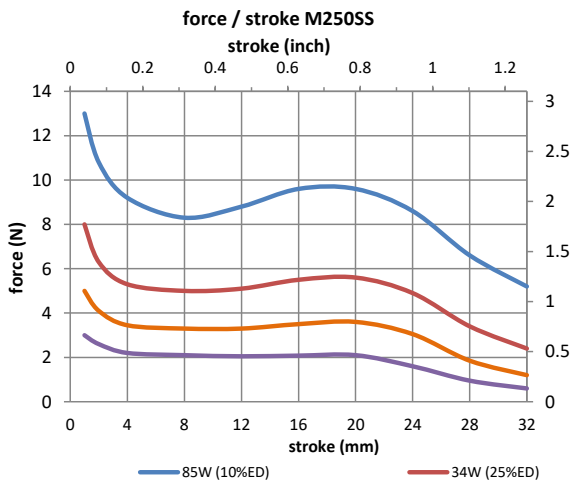
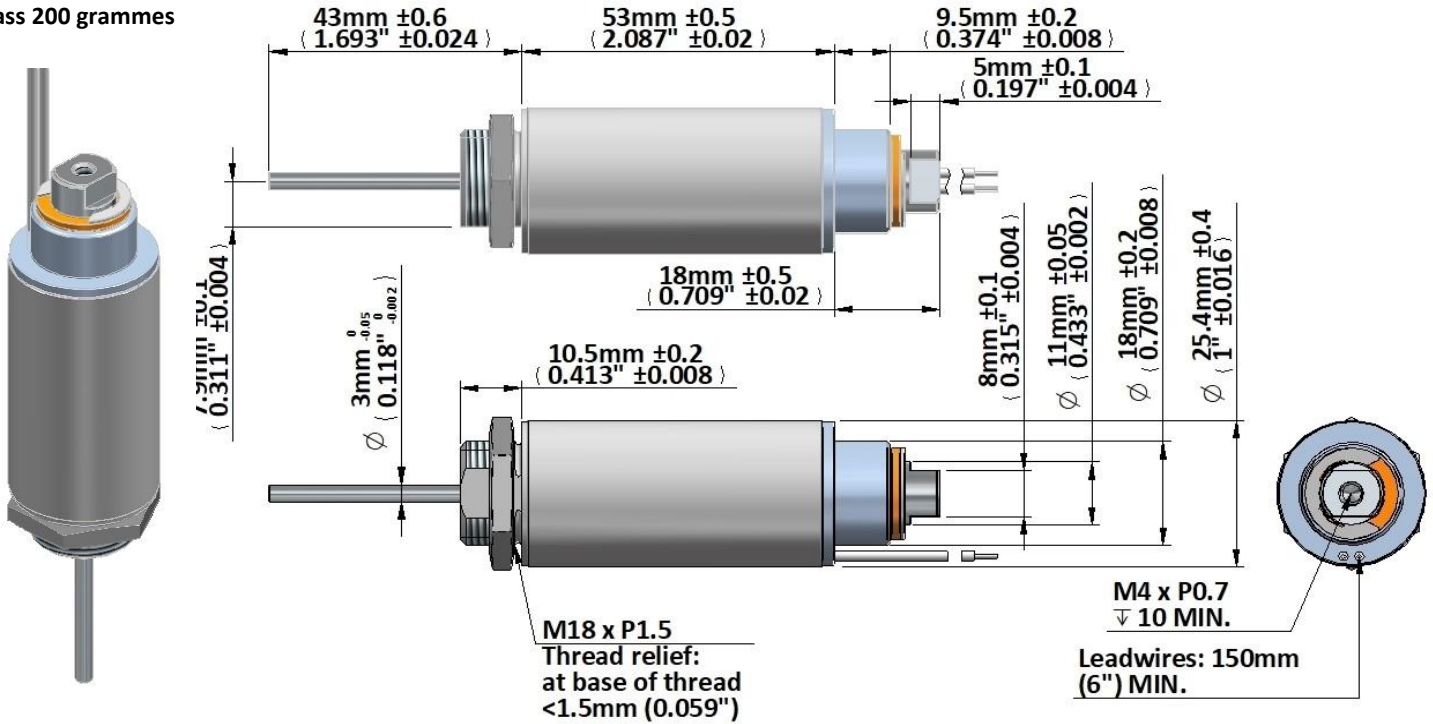




Device drawn in energised condition
 Life Expectancy >2M cycles
 Leadwires UL1430, 22AWG
 Plunger Mass 46 grammes
 Mass 200 grammes



Data at 20°C, device performance measured without heat sink

duty cycle = $\frac{\text{"on" time}}{\text{"on" time} + \text{"off" time}} \times 100\%$		100%	50%	25%	10%	
		cont.	or less	or less	or less	
Max. "on" time in seconds		∞	290	26	6	
watts at 20°C		8.5	17	34	85	
ampere-turns at 20°		983	1390	1966	3109	
AWG no.	resistance	number of turns	volts DC			
	Ω±10% (at 20°C)					
M250SS-12v	17	1392	12.0	17.0	24.0	38.0
M250SS-24v	66	2686	24.0	34.0	48.0	76.0
M250SS-48v	260	5380	48.0	68.0	96.0	152.0
M250SS-96v	1170	11400	96.0	136.0	192	304

Insulation Resistance >100MΩ, 500VDC Megger

Dielectric Strength 1000VAC, 50/60Hz, 1 minute

Class E (120°C) insulation class