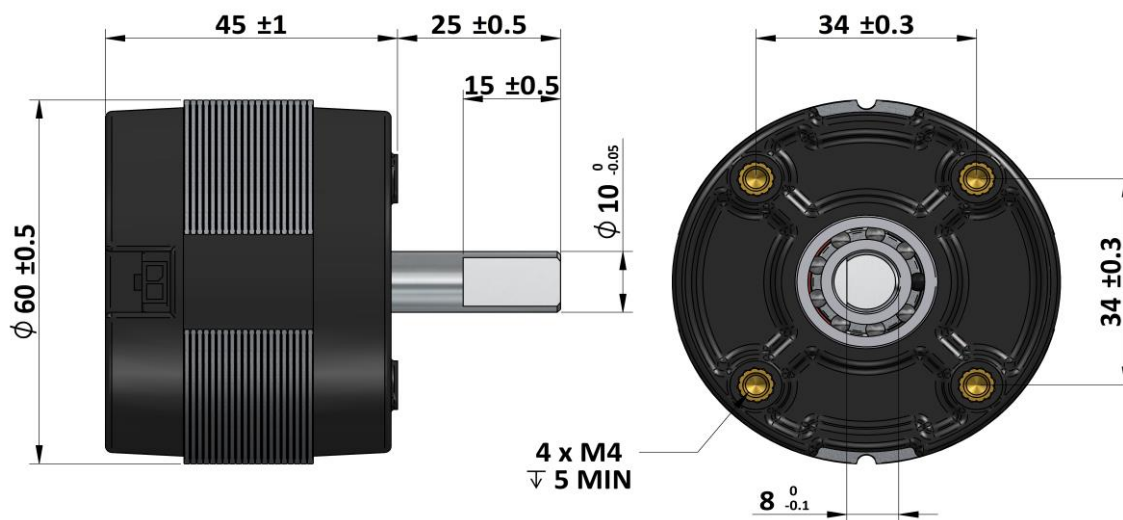




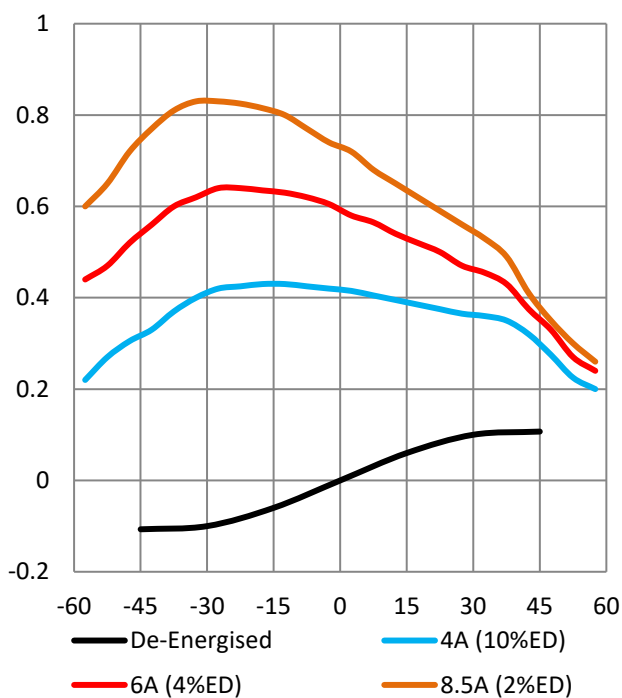
GEEPLUS

# BRS6045G-6 (N-S MAGNET)

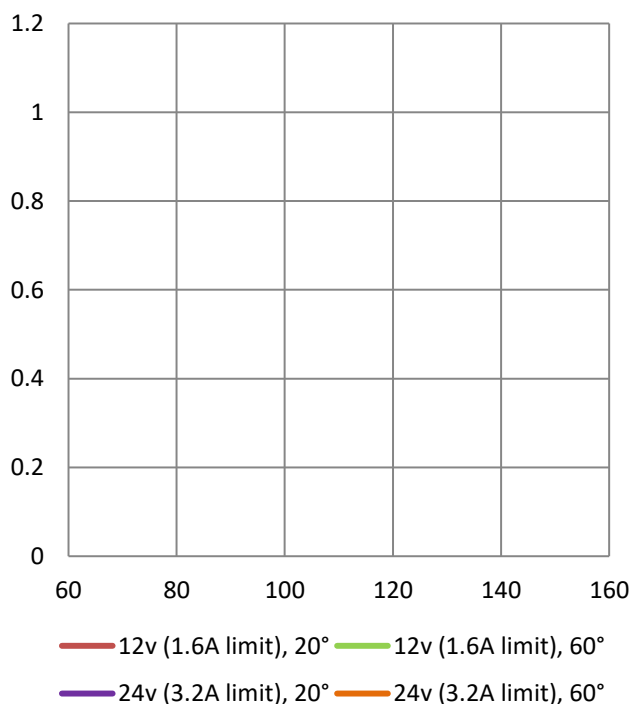
Device drawn with shaft aligned to mid position  
Nominal Coil | Resistance  $6\Omega$ ,  
Rotor Inertia  $42 \text{ gcm}^2$   
Life Expectancy  $>10\text{M}$  cycles, no load,  $90^\circ$  rotation  
Connector compatible with Molex 43645-0200 connector  
Leadsets are available, P/N MF3-2H-L ('L' is length in mm)  
Mass 450 grammes



### Torque (Nm) vs Angle



### Response (ms) vs Load Inertia ( $\text{gcm}^2$ )



Geeplus reserves the right to change specifications without notice

[www.geeplus.com](http://www.geeplus.com)