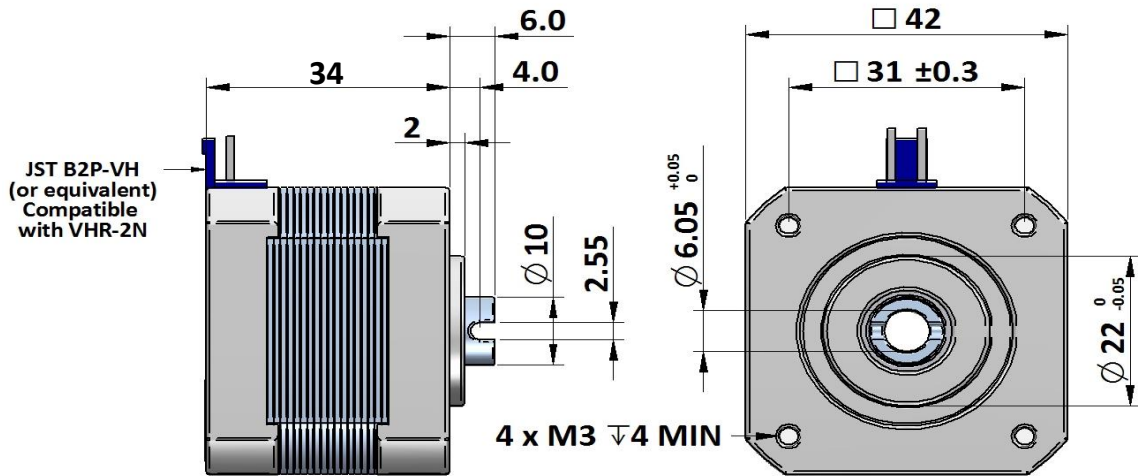
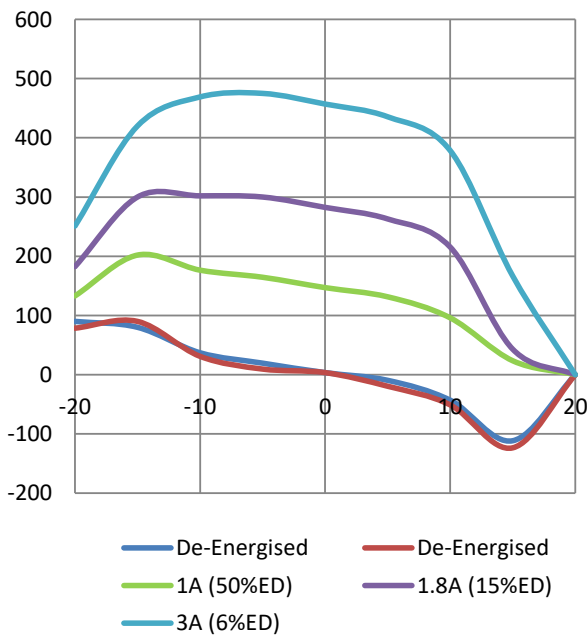


# GEEPLUS BRS4232-6-10

Device drawn with shaft aligned to mid position  
 Nominal 10Ω, 10mH for operation at 12v, 50%ED  
 Rotor Inertia 36 gcm<sup>2</sup>  
 Life Expectancy >20M cycles, no load  
 Optimal rotation +/-10°, Mass 150 grammes  
 Turns CCW from position shown, +ve applied to Red lead  
 JST B2P-VH (Lead Assy supplied with 450mm, AWG20)



**Torque (mNm) vs Angle**



**Response (ms) vs Load Inertia (gcm<sup>2</sup>)**

