



GEEPLUS

Tubular Solenoid size 320

Device drawn in energised condition

Available plunger options:

pull (-Lx) / push (-Hx)

Life Expectancy (cycles):

>2M (-L, ;-H),

>5M (-LE, ;-HE),

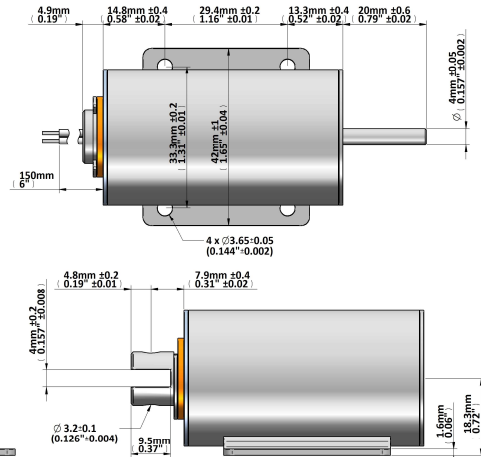
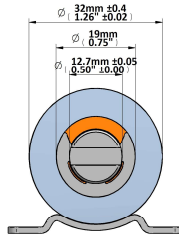
>10M (-LL, -HL)

Available mechanical options:

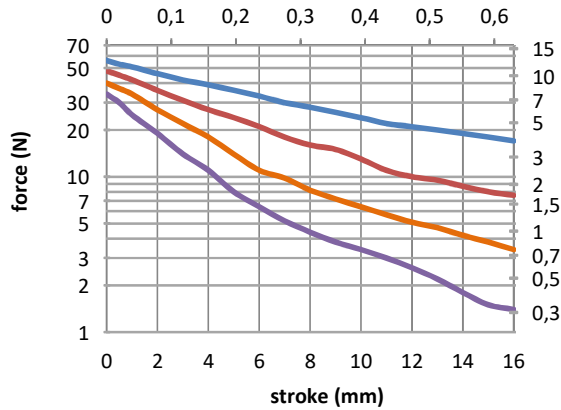
M: metric thread

F: SAE thread

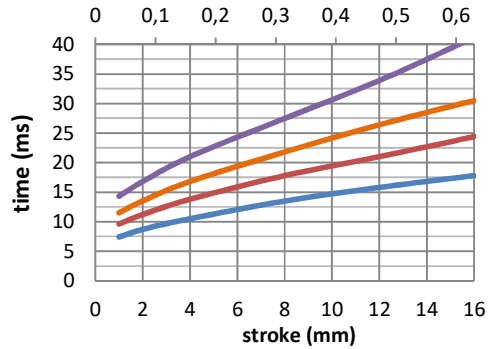
Mass 299g
 Push Plunger 53g
 Pull Plunger 54g
 Leadwires UL1430,
 22AWG



force / stroke 320
stroke (inch)



response time
stroke (inch)



— 130W (10%ED) — 52W (25%ED) — 26W (50%ED) — 13W (100%ED)

Data at 20°C, device connected to heatsink 130x130x3mm aluminum

duty cycle = $\frac{\text{"on" time}}{\text{"on" time} + \text{"off" time}} \times 100\%$		100% cont.	50% or less	25% or less	10% or less	
Max. "on" time in seconds		∞	390	60	18	
watts at 20°C		13	26	52	130	
ampere-turns at 20°		1500	2121	3000	4743	
AWG no.	resistance	number of turns	volts DC			
	Ω±10% (at 20°C)					
21	1,40	496	4,3	6,1	8,6	13,5
22	2,52	700	5,4	7,7	10,9	17,2
23	3,52	780	6,8	9,6	13,6	22
24	6,04	1056	8,6	12,2	17,2	27
25	8,5	1176	10,9	15,4	22	34
26	14,1	1540	13,8	19,5	28	44
27	22,5	1970	17,3	24	35	55
28	36,1	2484	22	31	44	69
29	55,1	3060	27	38	54	86
30	88,1	3805	35	49	70	110
31	147	5044	44	62	88	139
32	214	5992	54	76	107	170
33	354	7744	69	98	138	218
34	566	9730	88	124	175	277
35	900	12200	111	157	222	351
36	1310	14150	139	197	278	440
37	2060	18100	172	243	344	544

Insulation Resistance >100MΩ, 500VDC Megger

Dielectric Strength 1000VAC, 50/60Hz, 1 minute

Class E (120°C) insulation class

Geeplus reserves the right to change specifications without notice

www.geeplus.com