



GEEPLUS

Tubular Solenoid size 250

Device drawn in energised condition

Available plunger options:

pull (-Lx) / push (-Hx)

Life Expectancy (cycles):

>2M (-L, ;-H),

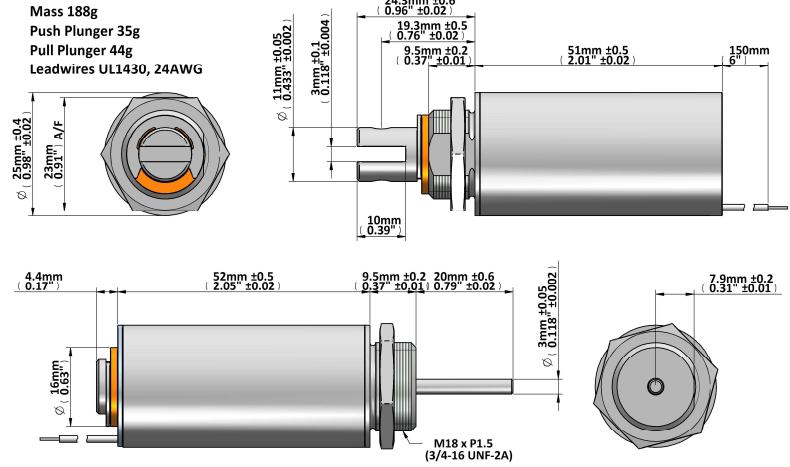
>5M (-LE, ;-HE),

>10M (-LL, -HL)

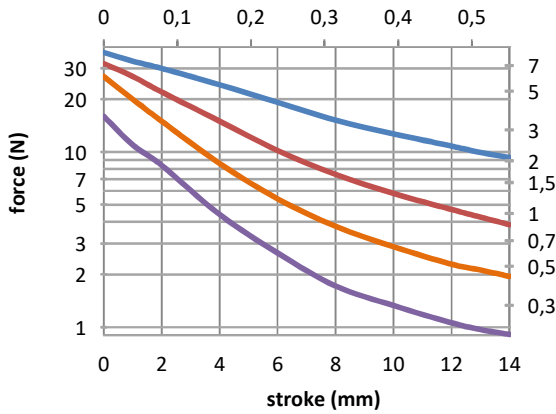
Available mechanical options:

M: metric thread

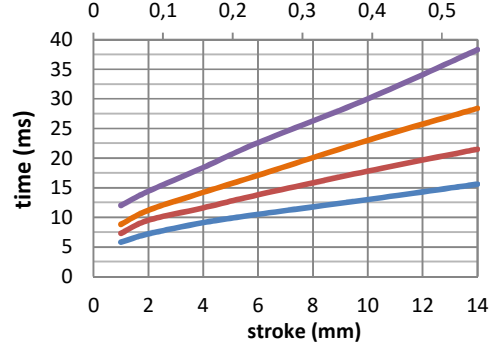
F: SAE thread



force / stroke 250
stroke (inch)



response time
stroke (inch)



Data at 20°C, device connected to heatsink 100x100x3mm aluminum

duty cycle = $\frac{\text{"on" time}}{\text{"on" time} + \text{"off" time}} \times 100\%$		100% cont.	50% or less	25% or less	10% or less	
Max. "on" time in seconds		∞	360	32	8	
watts at 20°C		10	20	40	100	
ampere-turns at 20°		1090	1541	2180	3447	
AWG no.	resistance	number of turns	volts DC			
	Ω±10% (at 20°C)					
23	1,49	402	4,1	5,8	8,2	13,0
24	2,87	600	5,2	7,4	10,4	16,4
25	3,98	672	6,6	9,3	13,1	21
26	7,06	940	8,3	11,7	16,6	26
27	9,8	1050	10,4	14,6	21	33
28	16,9	1415	13,2	18,6	26	42
29	27,0	1820	16,4	23	33	52
30	45,0	2365	21	30	42	66
31	71,6	2990	26	37	53	84
32	107	3660	32	46	65	102
33	172	4550	42	59	83	132
34	265	5550	53	75	106	167
35	443	7310	67	95	134	212
37	1032	11000	104	147	207	328
38	1535	12930	131	185	262	415

Insulation Resistance >100MΩ, 500VDC Megger

Dielectric Strength 1000VAC, 50/60Hz, 1 minute

Class E (120°C) insulation class

Geeplus reserves the right to change specifications without notice

www.geeplus.com