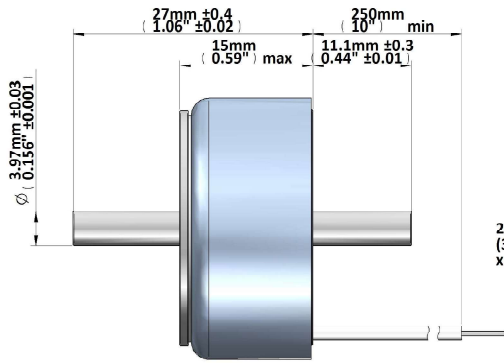




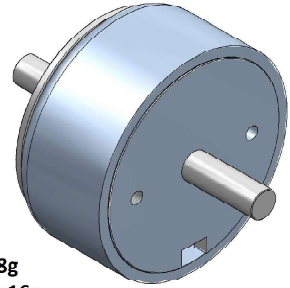
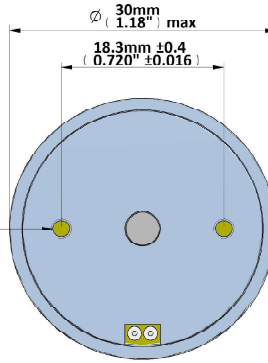
GEEPLUS Small Push Pull Solenoid size 300

Device drawn in energised condition
conical plunger
Life Expectancy (cycles): >5M

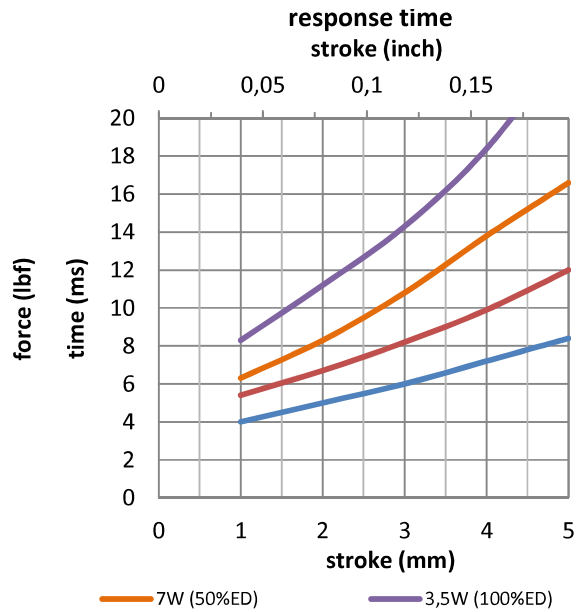
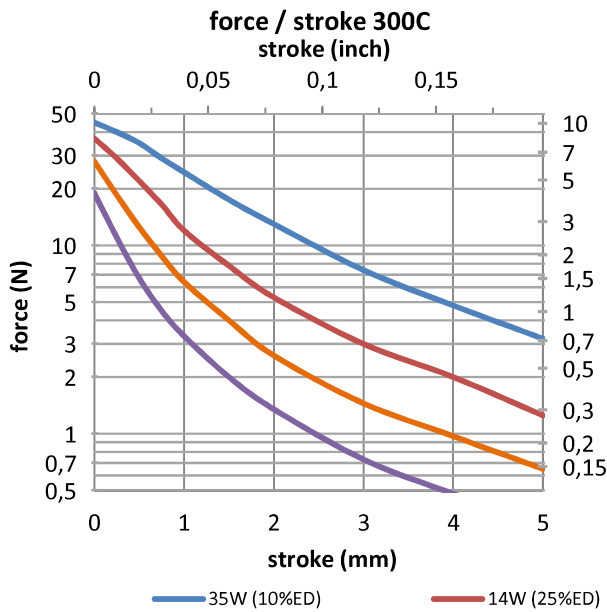
Available mechanical options:
M: metric thread
F: SAE thread



2 x M2.3 x P0.4
(3-48 NC-2B)
x 2 (0.08") deep



Mass 58g
Plunger 16g
Leadwires 28AWG, UL1430



Data at 20°C, without heatsink

| duty cycle = $\frac{\text{"on" time}}{\text{"on" time} + \text{"off" time}} \times 100\%$ | | 100% cont. | 50% or less | 25% or less | 10% or less | |
|---|-----------------------------|--------------------|----------------|----------------|----------------|-----|
| Max. "on" time in seconds | | ∞ | 100 | 36 | 7 | |
| watts at 20°C | | 3,5 | 7 | 14 | 35 | |
| ampere-turns at 20° | | 272 | 385 | 545 | 864 | |
| type no. | resistance | number of turns | volts DC | | | |
| | $\Omega \pm 10\%$ (at 20°C) | | | | | |
| M300C-3V F300C-3V | 2,6 | 235 | 3,0 | 4,2 | 6,0 | 9,5 |
| M300C-6V F300C-6V | 10,4 | 485 | 6,0 | 8,5 | 12 | 19 |
| M300C-12V F300C-12V | 41,8 | 990 | 12 | 17 | 24 | 38 |
| M300C-24V F300C-24V | 166 | 1780 | 24 | 34 | 48 | 76 |

Insulation Resistance >100MΩ, 500VDC Megger
Class E (120°C) insulation class

Dielectric Strength 1000VAC, 50/60Hz, 1 minute

Geplus reserves the right to change specifications without notice

www.geeplus.com