

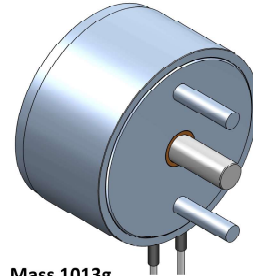
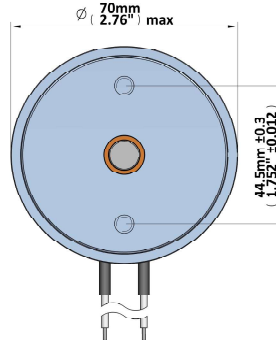
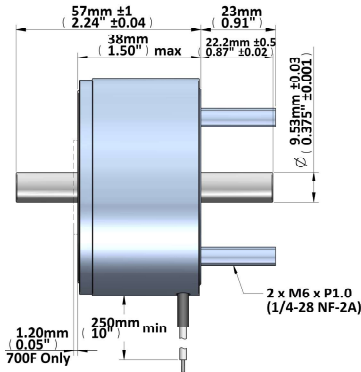


**GEEPLUS**

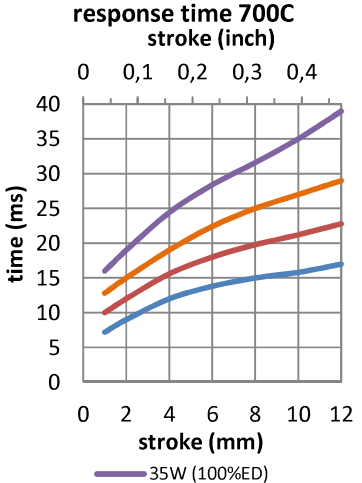
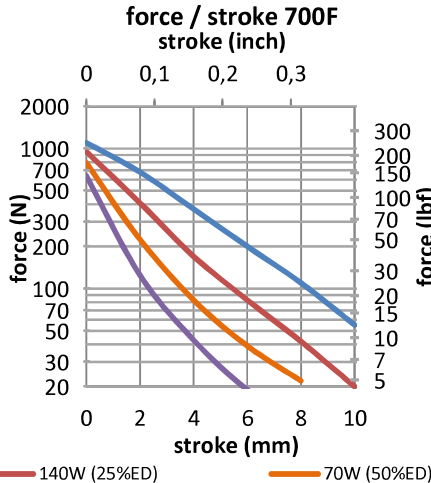
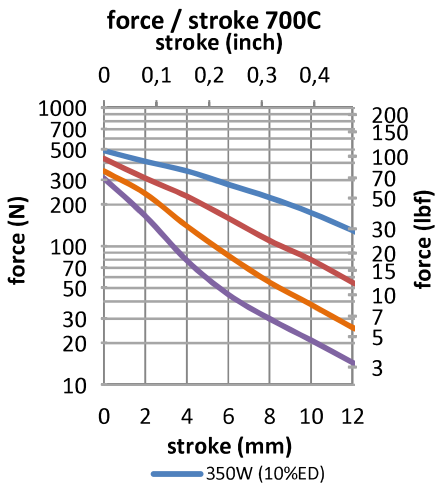
# Push Pull Solenoid size 700

Device drawn in energised condition  
 plunger options: conical (700C) / flat (700F)  
 Life Expectancy (cycles): >2M (-P), >10M (-PE)

Available mechanical options:  
 M: metric thread  
 F: SAE thread



Mass 1013g  
 Plunger (C) 268g  
 Plunger (F) 285g  
 Leadwires 20AWG, UL1430



Data at 20°C, device connected to heatsink 390x390x3mm aluminum

duty cycle = $\frac{\text{"on" time}}{\text{"on" time} + \text{"off" time}} \times 100\%$		100% cont.	50% or less	25% or less	10% or less	
Max. "on" time in seconds		∞	80	38	16	
watts at 20°C		35	70	140	350	
ampere-turns at 20°		1570	2230	3150	5000	
AWG no.	resistance	number of turns	volts DC			
	$\Omega \pm 10\%$ (at 20°C)		8	11	16	26
20	1,88	368	10	14	20	32
21	3,01	468	13	18	26	41
22	4,82	580	16	23	33	52
23	8,1	780	20	29	41	65
24	12,3	949	26	37	52	83
25	19,0	1148	33	46	66	105
26	30,8	1472	41	59	83	132
27	48,8	1854	52	75	105	166
28	81,1	2436	64	92	130	206
29	121	2944	82	118	166	264
30	190	3650	104	147	209	331
31	275	4175	119	170	240	-
32	440	5792	165	235	331	-
33	735	7000	204	288	-	-
34	995	7600				

Insulation Resistance >100MΩ, 500VDC Megger  
 Class E (120°C) insulation class

Dielectric Strength 1000VAC, 50/60Hz, 1 minute

Geeplus reserves the right to change specifications without notice

[www.geeplus.com](http://www.geeplus.com)