

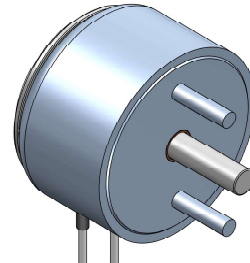
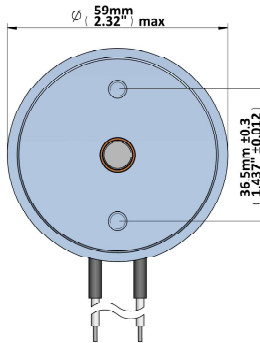
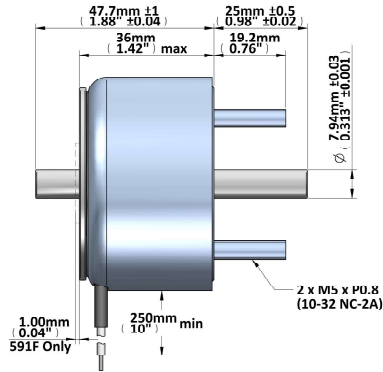


**GEEPLUS**

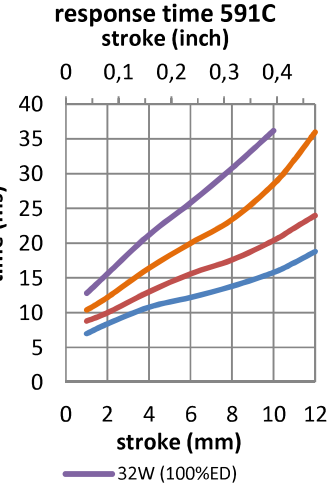
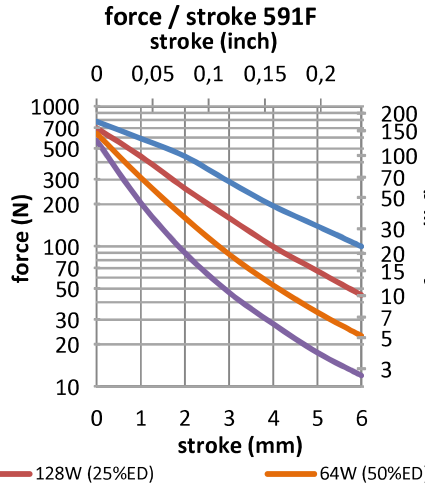
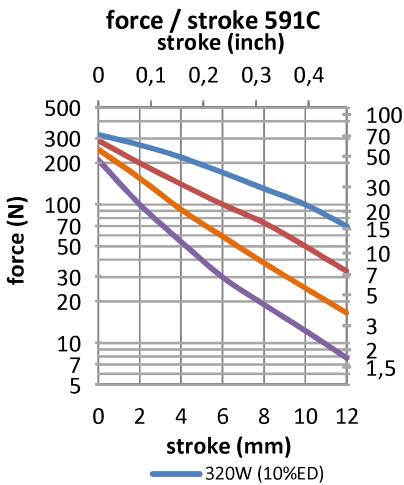
# Push Pull Solenoid size 591

Device drawn in energised condition  
 plunger options: conical (591C) / flat (591F)  
 Life Expectancy (cycles): >2M (-P), >10M (-PE)

Available mechanical options:  
 M: metric thread  
 F: SAE thread



Mass 620g  
 Plunger (C) 145g  
 Plunger (F) 140g  
 Leadwires 20AWG, UL1430



Data at 20°C, device connected to heatsink 310x310x3mm aluminum

| duty cycle = $\frac{\text{"on" time}}{\text{"on" time} + \text{"off" time}} \times 100\%$ |                             |                    | 100%<br>cont. | 50%<br>or less | 25%<br>or less | 10%<br>or less |
|---|-----------------------------|--------------------|---------------|----------------|----------------|----------------|
| Max. "on" time in seconds   |                             |                    | ∞             | 87             | 36             | 13             |
| watts at 20°C   |                             |                    | 32            | 64             | 128            | 320            |
| ampere-turns at 20°   |                             |                    | 1480          | 2080           | 2940           | 4620           |
| AWG no.   | resistance                  | number<br>of turns | volts DC      |                |                |                |
|   | $\Omega \pm 10\%$ (at 20°C) |                    |               |                |                |                |
| 20  | 1,23                        | 295                | 6,2           | 8,7            | 12,3           | 19,3           |
| 21  | 1,75                        | 340                | 7,6           | 10,7           | 15,1           | 24             |
| 22  | 2,79                        | 446                | 9,3           | 13,0           | 18,4           | 29             |
| 23  | 4,54                        | 567                | 11,9          | 16,7           | 24             | 37             |
| 24  | 6,93                        | 690                | 14,9          | 21             | 30             | 46             |
| 25  | 12,5                        | 910                | 20            | 29             | 40             | 63             |
| 26  | 18,4                        | 1120               | 24            | 34             | 48             | 76             |
| 27  | 33,4                        | 1500               | 33            | 46             | 65             | 103            |
| 28  | 46,3                        | 1750               | 39            | 55             | 78             | 122            |
| 29  | 74,5                        | 2232               | 49            | 69             | 98             | 154            |
| 30  | 125,5                       | 2940               | 63            | 89             | 126            | 197            |
| 31  | 199                         | 3611               | 82            | 115            | 162            | 255            |
| 32  | 302                         | 4350               | 103           | 144            | 204            | 321            |
| 33  | 417                         | 5010               | 123           | 173            | 245            | 385            |

Insulation Resistance >100MΩ, 500VDC Megger  
 Class E (120°C) insulation class

Dielectric Strength 1000VAC, 50/60Hz, 1 minute

Geeplus reserves the right to change specifications without notice

[www.geeplus.com](http://www.geeplus.com)