

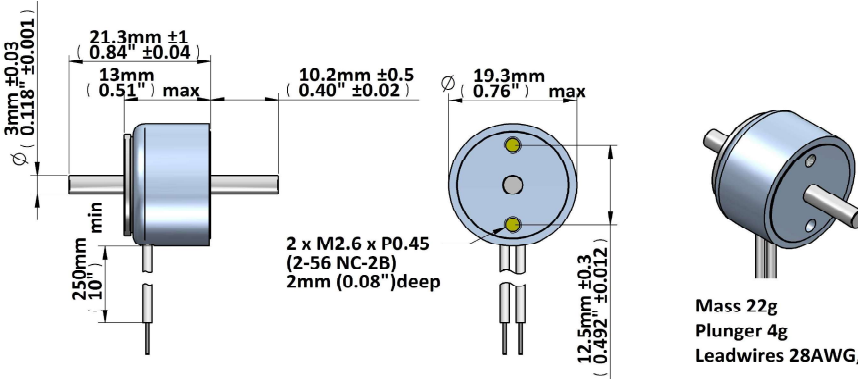


GEEPLUS

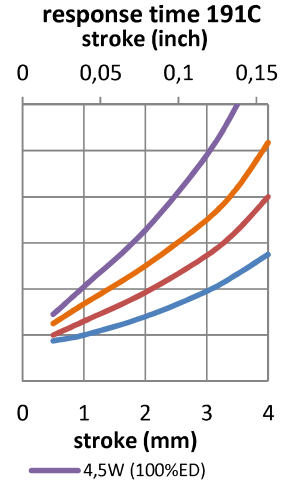
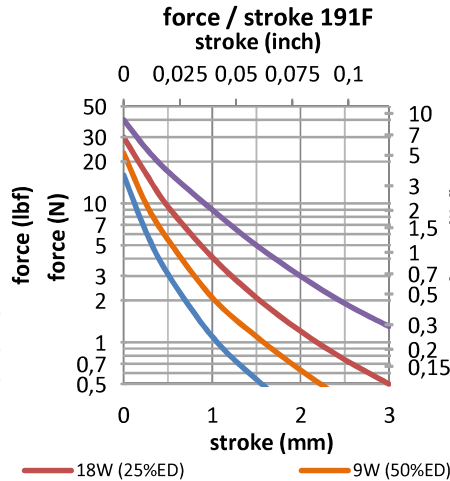
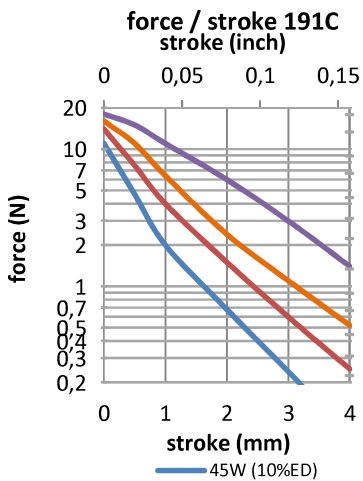
Push Pull Solenoid size 191

Device drawn in energised condition
 plunger options: conical (191C) / flat (191F)
 Life Expectancy (cycles): >2M (-P)

Available mechanical options:
 M: metric thread
 F: SAE thread



Mass 22g
 Plunger 4g
 Leadwires 28AWG, UL1430



Data at 20°C, device connected to heatsink 50x50x3mm aluminum

duty cycle = $\frac{\text{"on" time}}{\text{"on" time} + \text{"off" time}} \times 100\%$		100% cont.	50% or less	25% or less	10% or less	
Max. "on" time in seconds		∞	100	36	7	
watts at 20°C		4,5	9	18	45	
ampere-turns at 20°		285	403	570	901	
AWG no.	resistance	number of turns	volts DC			
	$\Omega \pm 10\%$ (at 20°C)		4,1	5,7	8,0	12,1
30	4,0	288	4,1	5,7	8,0	12,1
31	5,6	324	5,0	7,1	9,9	15,8
32	9,1	544	6,3	8,9	12,4	19,7
33	15,0	684	8,0	11,3	15,7	25
34	24,1	840	10,2	14,4	20	32
35	37,1	1056	12,8	18,1	25	40
36	58,5	1109	16,1	23	32	50
37	75,7	1370	19,8	28	39	62
38	118	1761	25	35	49	78
39	199	2283	33	46	64	103
40	328	4200	42	59	82	131

Insulation Resistance >100MΩ, 500VDC Megger

Dielectric Strength 1000VAC, 50/60Hz, 1 minute

Class E (120°C) insulation class

Geeplus reserves the right to change specifications without notice

www.geeplus.com