



# GEEPLUS

# VM5042 & VM5050

$P_{100}$  is the continuous (100% ED) excitation power at which the coil attains temperature  $T_{max}$  with the part mounted to a massive heatsink at 20°C

$P_{100}$  24 W

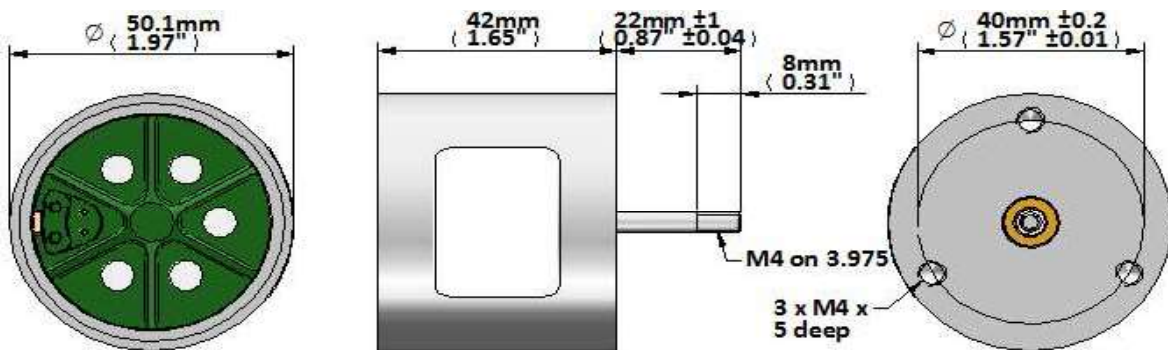
$T_{max}$  130 °C

Total Mass 480 g

Coil Mass 35 g

Model No.	Resistance $R_{20}$	Inductance	Force Constant	Velocity Constant	Current $I_{100}$
VM50xx-400	2.5 $\Omega$	1.3 mH	7 N/A	7 Vs/m	2.6 A
VM50xx-250	15.0 $\Omega$	5.6 mH	17 N/A	17 Vs/m	1.1 A
VM50xx-190	45.0 $\Omega$	20.0 mH	30 N/A	30 Vs/m	0.6 A

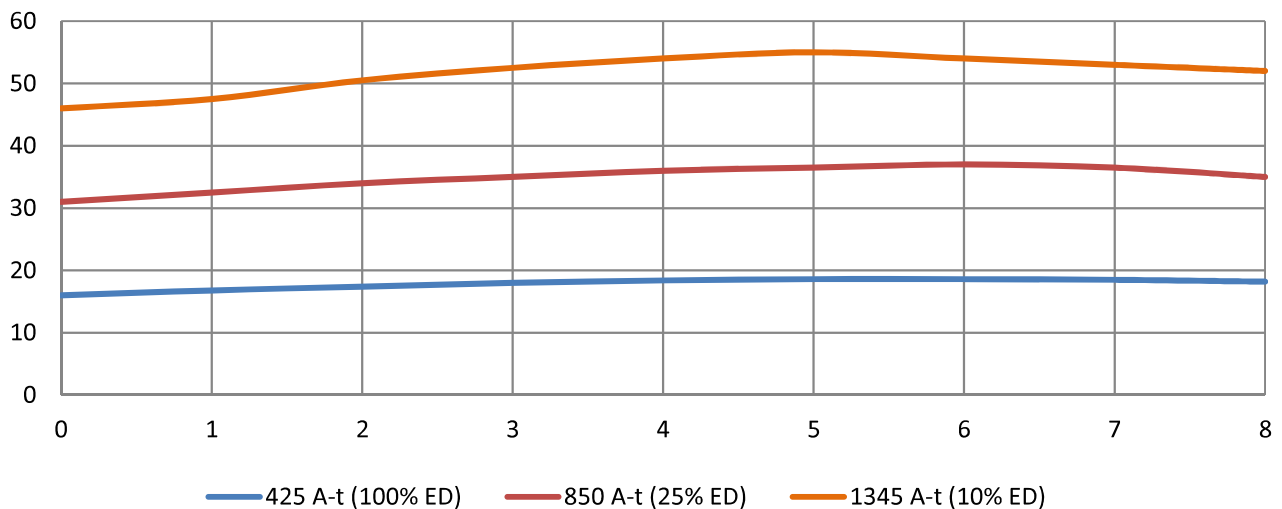
	Max 'ON' time	Peak Force
100% ED	$\infty$	19 N
50% ED	65 s	27 N
25% ED	12 s	37 N
10% ED	3 s	54 N



**INCREASING STROKE** 0mm

VM5050 incorporates end cover and flex circuit termination to coil with leadwires 24AWG, UL????, 300mm (12") minimum length. Stroke is limited to 8mm.

**Force (N) vs Displacement (mm)**



Geeplus reserves the right to change specifications without notice

[www.geeplus.com](http://www.geeplus.com)