



GEEPLUS

VM108-2P30

P_{100} is the continuous (100% ED) excitation power at which the coil attains temperature T_{max} with the part mounted to a massive heatsink at 20°C

P_{100} **108 W**

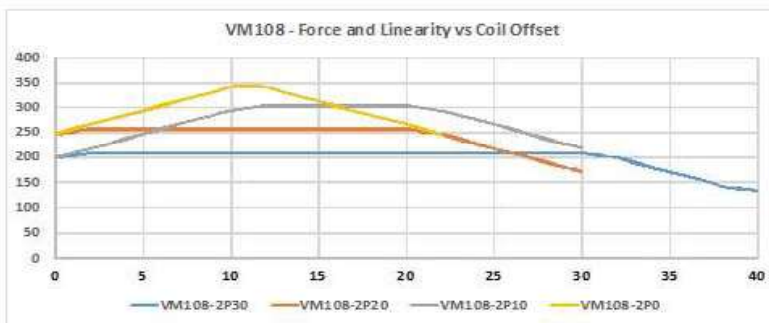
T_{max} **120 °C**

Total Mass **8 kg**

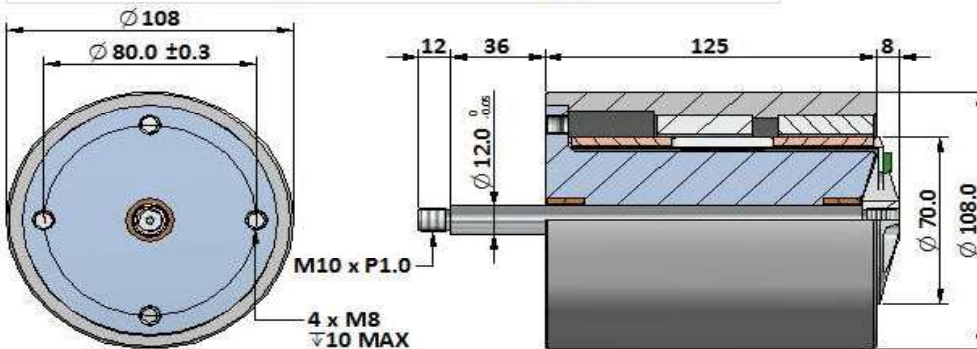
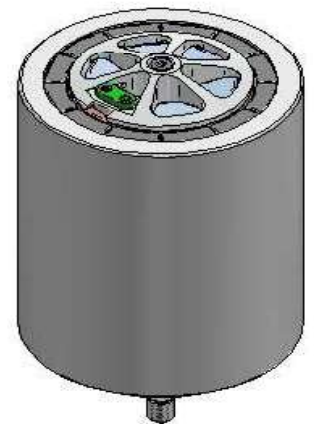
Coil Mass **750 g**

Model No.	Resistance R_{20}	Inductance	Force Constant	Velocity Constant	Current I_{100}
VM108-2P30-1000	1.3 Ω	N/A	25 N/A	25 Vs/m	7.7 A
VM108-2P30-670	6.4 Ω	N/A	56 N/A	56 Vs/m	3.5 A
VM108-2P30-500	20.2 Ω	N/A	99 N/A	99 Vs/m	2.0 A

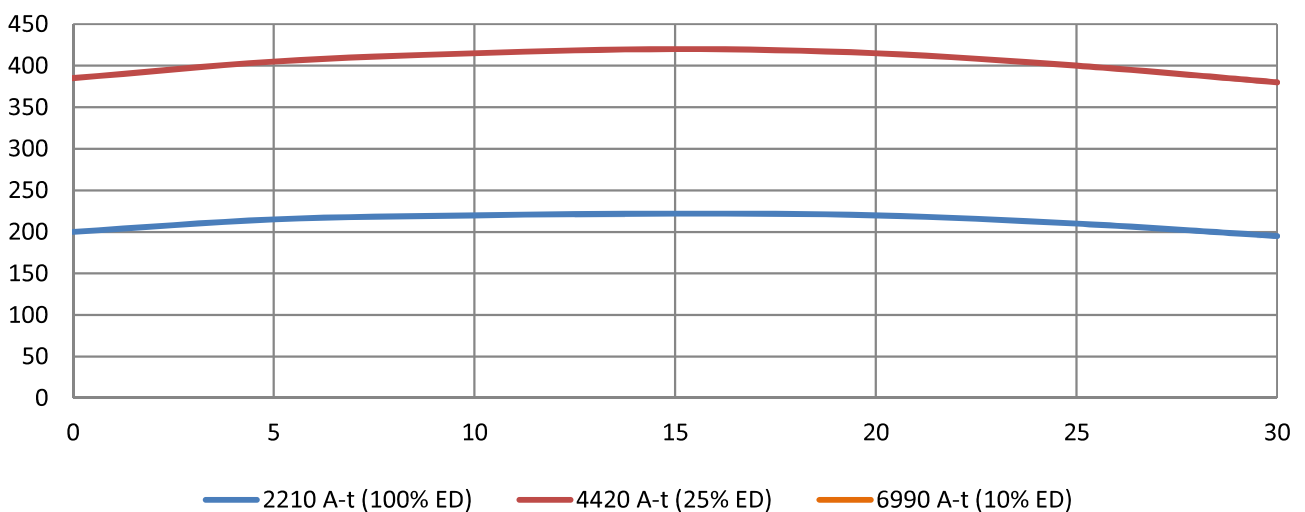
	Max 'ON' time	Peak Force
100% ED	∞	230 N
50% ED	100 s	300 N
25% ED	35 s	440 N
10% ED	11 s	700 N



The VM108-2P voice coil motor can be configured with different coil geometry to provide more force over a shorter linear range. The graph gives an approximate indication of what is possible. Call Geeplus if other



Force (N) vs Displacement (mm)



Geeplus reserves the right to change specifications without notice

www.geeplus.com