



GEEPLUS

Tubular Solenoid size 253

Device drawn in energised condition

Available plunger options:

pull (-Lx) / push (-Hx)

Life Expectancy (cycles):

>2M (-L, ;-H),

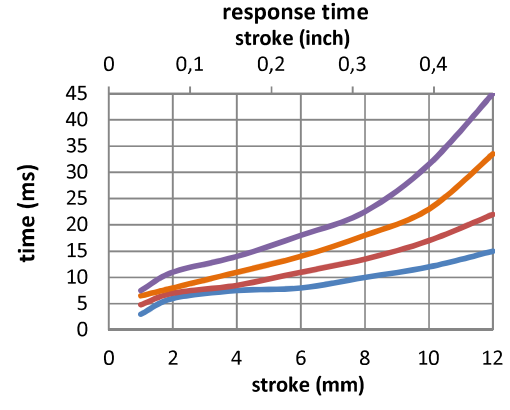
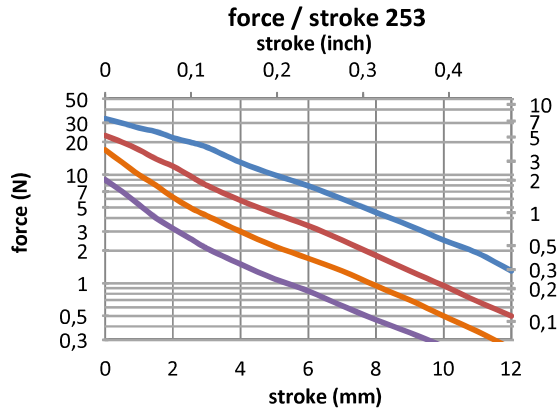
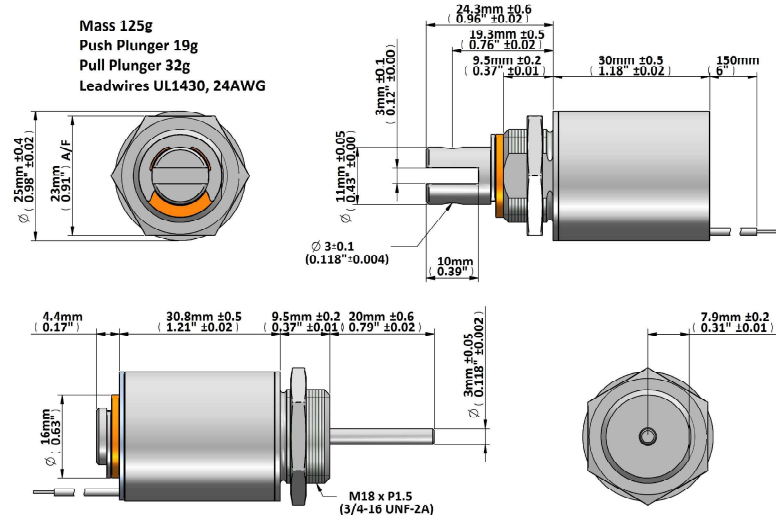
>5M (-LE, ;-HE),

>10M (-LL, -HL)

Available mechanical options:

M: metric thread

F: SAE thread



Data at 20°C, device connected to heatsink 100x100x3mm aluminum

| duty cycle = $\frac{\text{"on" time}}{\text{"on" time} + \text{"off" time}} \times 100\%$ | | 100% cont. | 50% or less | 25% or less | 10% or less | |
|---|-----------------|--------------------|----------------|----------------|----------------|------|
| Max. "on" time in seconds | | ∞ | 360 | 32 | 8 | |
| watts at 20°C | | 8 | 16 | 32 | 80 | |
| ampere-turns at 20° | | 666 | 942 | 1332 | 2106 | |
| AWG no. | resistance | number of turns | volts DC | | | |
| | Ω±10% (at 20°C) | | | | | |
| 25 | 1,91 | 328 | 3,9 | 5,5 | 7,8 | 12,3 |
| 26 | 3,49 | 460 | 5,1 | 8,7 | 12,3 | 19,4 |
| 27 | 4,79 | 520 | 6,1 | 8,7 | 12,3 | 19,4 |
| 28 | 8,27 | 696 | 7,9 | 11,2 | 15,8 | 25 |
| 29 | 14,7 | 910 | 10,8 | 15,2 | 22 | 34 |
| 30 | 18,6 | 1020 | 12,1 | 17,2 | 24 | 38 |
| 31 | 31,3 | 1360 | 15,3 | 22 | 31 | 48 |
| 32 | 50,3 | 1620 | 21 | 29 | 41 | 65 |
| 33 | 76,8 | 2060 | 25 | 35 | 50 | 79 |
| 34 | 121 | 2570 | 31 | 44 | 63 | 99 |
| 35 | 207 | 3350 | 41 | 58 | 82 | 130 |
| 36 | 308 | 4100 | 50 | 71 | 100 | 158 |
| 37 | 490 | 5100 | 64 | 91 | 128 | 202 |
| 38 | 720 | 6000 | 80 | 113 | 160 | 253 |
| 39 | 1320 | 8550 | 103 | 145 | 206 | 325 |
| 40 | 2040 | 10500 | 129 | 183 | 259 | 409 |

Insulation Resistance >100MΩ, 500VDC Megger

Dielectric Strength 1000VAC, 50/60Hz, 1 minute

Class E (120°C) insulation class

Geeplus reserves the right to change specifications without notice

www.geeplus.com